









D T H - T Y P		MATERIAL	MEDIUM TEMP./DRUCK/ GESCHW INDIGKEIT				
NR.D T H- T Y P E- NO.		MATERIAL	MEDIA	TEMP./PRESSURE/ SPEED			
	D T H - N D A S	Abstreif er	NBR Stahl	Mineralöl	-30°C - +100°C ≤ 4.0 m/sec	Seite	
				HFA und HFB	+5°C - +60°C ≤ 4.0 m/sec	7-8	
				HFC	-30°C - +60°C ≤ 4.0 m/sec		
		Wiper	NBR Steel	Mineral oils	-30°C - +100°C ≤ 4.0 m/sec	Pa ge	
					HFA and HFB	+5°C - +60°C ≤ 4.0 m/sec	7-8
					HFC	-30°C - +60°C ≤ 4.0 m/sec	
	D T H - W I - 1 4 0 0 0 P U - M	P U - A b s t r e i f e r m i t M e t a l l g e h ä u s e	P U Stahl	Mineralöl	-30°C - +100°C ≤ 1.0 m/sec	Seite	
				HFA und HFB	+5°C - +50°C ≤ 1.0 m/sec	9	
				HFC	-30°C - +40°C ≤ 1.0 m/sec		
		P U M e t a l C a s e W i p e r	P U Steel	Mineral oils	-30°C - +100°C ≤ 1.0 m/sec	Pa ge	
					HFA and HFB	+5°C - +50°C ≤ 1.0 m/sec	9
					HFC	-30°C - +40°C ≤ 1.0 m/sec	
	D T H - N D P 6	A b s t r e i f e r	NBR	Mineralöl	-30°C - +100°C ≤ 4.0 m/sec	Seite	
				HFA und HFB	+5°C - +60°C ≤ 4.0 m/sec	10	
				HFC	-30°C - +60°C ≤ 4.0 m/sec		
		Wiper	NBR	Mineral oils	-30°C - +100°C ≤ 4.0 m/sec	Pa ge	
					HFA and HFB	+5°C - +60°C ≤ 4.0 m/sec	10
					HFC	-30°C - +60°C ≤ 4.0 m/sec	
	D T H - N D P 7	A b s t r e i f e r	NBR Stahl	Mineralöl	-30°C - +100°C ≤ 4.0 m/sec	Seite	
				HFA und HFB	+5°C - +60°C ≤ 4.0 m/sec	11	
				HFC	-30°C - +60°C ≤ 4.0 m/sec		
		Wiper	NBR Steel	Mineral oils	-30°C - +100°C ≤ 4.0 m/sec	Pa ge	
					HFA and HFB	+5°C - +60°C ≤ 4.0 m/sec	11
					HFC	-30°C - +60°C ≤ 4.0 m/sec	

	DTH-NDP8	Abstreifer	NBR	Mineralöl	-30°C - +100°C ≤ 4.0 m/sec	Seite
				HFA und HFB	+5°C - +60°C ≤ 4.0 m/sec	12
				HFC	-30°C - +60°C ≤ 4.0 m/sec	
		Wiper	NBR	Mineral oils	-30°C - +100°C ≤ 4.0 m/sec	Page
				HFA and HFB	+5°C - +60°C ≤ 4.0 m/sec	12
				HFC	-30°C - +60°C ≤ 4.0 m/sec	

	DTH-NDRS	Abstreifer	NBR Stahl	Mineralöl	-30°C - +100°C ≤ 4.0 m/sec	Seite
				HFA und HFB	+5°C - +60°C ≤ 4.0 m/sec	13-14
				HFC	-30°C - +60°C ≤ 4.0 m/sec	
		Wiper	NBR Steel	Mineral oils	-30°C - +100°C ≤ 4.0 m/sec	Page
				HFA and HFB	+5°C - +60°C ≤ 4.0 m/sec	13-14
				HFC	-30°C - +60°C ≤ 4.0 m/sec	

	DTH-NDWR	Abstreifer	NBR	Mineralöl	-30°C - +100°C ≤ 4.0 m/sec	Seite
				HFA und HFB	+5°C - +60°C ≤ 4.0 m/sec	15-16
				HFC	-30°C - +60°C ≤ 4.0 m/sec	
		Wiper	NBR	Mineral oils	-30°C - +100°C ≤ 4.0 m/sec	Page
				HFA and HFB	+5°C - +60°C ≤ 4.0 m/sec	15-16
				HFC	-30°C - +60°C ≤ 4.0 m/sec	

	DTH-WI-24000 PUM	Doppelabstreifer mit Metall	PU Stahl	Mineralöl	-30°C - +100°C ≤ 1.0 m/sec	Seite
				HFA und HFB	+5°C - +50°C ≤ 1.0 m/sec	17
				HFC	-30°C - +40°C ≤ 1.0 m/sec	
		Metal Case Double Wiper	PU Steel	Mineral oils	-30°C - +100°C ≤ 1.0 m/sec	Page
				HFA and HFB	+5°C - +50°C ≤ 1.0 m/sec	17
				HFC	-30°C - +40°C ≤ 1.0 m/sec	



DTH-WI-12000
NB

Abstreifer

NBR

Mineralöl | -30°C - +105°C
≤ 0.5 m/sec

Seite

HFA und
HFB | +5°C - +60°C
≤ 1.0 m/sec

18-19

HFC | -30°C - +60°C
≤ 1.0 m/sec

Wiper

NBR

Mineral
oils | -30°C - +105°C
≤ 0.5 m/sec

Page

HFA and
HFB | +5°C - +60°C
≤ 1.0 m/sec

18-19

HFC | -30°C - +60°C
≤ 1.0 m/sec



DTH-WI-12000
PU

Abstreifer

PU

Mineralöl | -30°C - +100°C
≤ 0.5 m/sec

Seite

HFA und
HFB | +5°C - +50°C
≤ 1.0 m/sec

20-22

HFC | -30°C - +40°C
≤ 1.0 m/sec

Wiper

PU

Mineral
oils | -30°C - +100°C
≤ 0.5 m/sec

Page

HFA and
HFB | +5°C - +50°C
≤ 1.0 m/sec

20-22

HFC | -30°C - +40°C
≤ 1.0 m/sec



DTH-WI-18000
NB

Abstreifer

NBR

Mineralöl | -30°C - +105°C
≤ 1.0 m/sec

Seite

HFA und
HFB | +5°C - +60°C
≤ 1.0 m/sec

23-24

HFC | -30°C - +60°C
≤ 1.0 m/sec

Wiper

NBR

Mineral
oils | -30°C - +105°C
≤ 1.0 m/sec

Page

HFA and
HFB | +5°C - +60°C
≤ 1.0 m/sec

23-24

HFC | -30°C - +60°C
≤ 1.0 m/sec



DTH-WI-18000
PU

Abstreifer

PU

Mineralöl | -30°C - +100°C
≤ 1.0 m/sec

Seite

HFA und
HFB | +5°C - +50°C
≤ 1.0 m/sec

24

HFC | -30°C - +40°C
≤ 1.0 m/sec

Wiper

PU


Mineral
oils | -30°C - +100°C
≤ 1.0 m/sec


Page


HFA and
HFB | +5°C - +50°C
≤ 1.0 m/sec


24

HFC | -30°C - +40°C
≤ 1.0 m/sec

	DT-WI-22000 TPE	Abstreifer	TPE	Mineralöl	-40°C - +120°C ≤ 2.0 m/sec	Seite
				HFA und HFB	+5°C - +60°C ≤ 2.0 m/sec	25
				HFC	-30°C - +60°C ≤ 2.0 m/sec	
		Wiper	TPE	Mineral oils	-40°C - +120°C ≤ 2.0 m/sec	Page
	HFA and HFB			+5°C - +60°C ≤ 2.0 m/sec	25	
	HFC			-30°C - +60°C ≤ 2.0 m/sec		

	DTH-WI-186000 PU	Abstreifer	PU	Mineralöl	-40°C - +100°C ≤ 1.0 m/sec	Seite
				HFA und HFB	+5°C - +50°C ≤ 1.0 m/sec	26
				HFC	-30°C - +40°C ≤ 1.0 m/sec	
		Wiper	PU	Mineral oils	-40°C - +100°C ≤ 1.0 m/sec	Page
	HFA and HFB			+5°C - +50°C ≤ 1.0 m/sec	26	
	HFC			-30°C - +40°C ≤ 1.0 m/sec		

	DTH-WI-10000 PU	Abstreifer	PU	Mineralöl	-30°C - +100°C ≤ 1.0 m/sec	Seite
				HFA und HFB	+5°C - +50°C ≤ 1.0 m/sec	27
				HFC	-30°C - +40°C ≤ 1.0 m/sec	
		Wiper	PU	Mineral oils	-30°C - +100°C ≤ 1.0 m/sec	Page
	HFA and HFB			+5°C - +50°C ≤ 1.0 m/sec	27	
	HFC			-30°C - +40°C ≤ 1.0 m/sec		

	DTH-WI-188000 PU	Abstreifer	PU	Mineralöl	-40°C - +100°C ≤ 0.5 m/sec	Seite
				HFA und HFB	+5°C - +50°C ≤ 0.5 m/sec	28
				HFC	-30°C - +40°C ≤ 0.5 m/sec	
		Wiper	PU	Mineral oils	-40°C - +100°C ≤ 0.5 m/sec	Page
	HFA and HFB			+5°C - +50°C ≤ 0.5 m/sec	28	
	HFC			-30°C - +40°C ≤ 0.5 m/sec		



DTH-DWI-54000 NB Doppelabstreifer NBR

Mineralöl	-30°C - +105°C ≤ 1.0 m/sec	Seite
HFA und HFB	+5°C - +60°C ≤ 1.0 m/sec	29
HFC	-30°C - +60°C ≤ 1.0 m/sec	

Double Wiper NBR

Mineral oils	-30°C - +105°C ≤ 1.0 m/sec	Page
HFA and HFB	+5°C - +60°C ≤ 1.0 m/sec	29
HFC	-30°C - +60°C ≤ 1.0 m/sec	



DTH-DWI-54000 PU Doppelabstreifer PU

Mineralöl	-30°C - +100°C ≤ 1.0 m/sec	Seite
HFA und HFB	+5°C - +50°C ≤ 1.0 m/sec	30
HFC	-30°C - +40°C ≤ 1.0 m/sec	

Double Wiper PU

Mineral oils	-30°C - +100°C ≤ 1.0 m/sec	Page
HFA and HFB	+5°C - +50°C ≤ 1.0 m/sec	30
HFC	-30°C - +40°C ≤ 1.0 m/sec	



DTH-DWI-20000 NB Doppelabstreifer NBR

Mineralöl	-30°C - +105°C ≤ 1.0 m/sec	Seite
HFA und HFB	+5°C - +60°C ≤ 1.0 m/sec	31-32
HFC	-30°C - +60°C ≤ 1.0 m/sec	

Double Wiper NBR

Mineral oils	-30°C - +105°C ≤ 1.0 m/sec	Page
HFA and HFB	+5°C - +60°C ≤ 1.0 m/sec	31-32
HFC	-30°C - +60°C ≤ 1.0 m/sec	



DTH-RO-128000 PU Pneumatik Doppelabstreifer PU

Druckluft sowohl gewartet als auch trocken und ölfrei	-40°C - +100°C ≤ 16 bar ≤ 1.0 m/sec	Seite 32
Prepared, dried and de-oiled compressed air	-40°C - +100°C ≤ 16 bar ≤ 1.0 m/sec	Page 32

Pneumatic Rod Wiper PU



DTH-WI-1410
PTFE-NB

Abstreifer

PTFE
BR
NBR

Mineralöl	-30°C - +105°C ≤ 5.0 m/sec
HFA und HFB	+5°C - +60°C ≤ 5.0 m/sec
HFC	-30°C - +60°C ≤ 5.0 m/sec

Seite

33

Wiper

PTFE
BR
NBR

Mineral oils	-30°C - +105°C ≤ 5.0 m/sec
HFA and HFB	+5°C - +60°C ≤ 5.0 m/sec
HFC	-30°C - +60°C ≤ 5.0 m/sec

Page

33



DTH-PI-1406
PTFE-NB

Abstreifelement

NBR
PTFE

Mineralöl	-30°C - +105°C ≤ 5.0 m/sec
HFA und HFB	+5°C - +60°C ≤ 5.0 m/sec
HFC	-30°C - +60°C ≤ 5.0 m/sec

Seite

34

Wiper

NBR
PTFE

Mineral oils	-30°C - +105°C ≤ 5.0 m/sec
HFA and HFB	+5°C - +60°C ≤ 5.0 m/sec
HFC	-30°C - +60°C ≤ 5.0 m/sec

Page

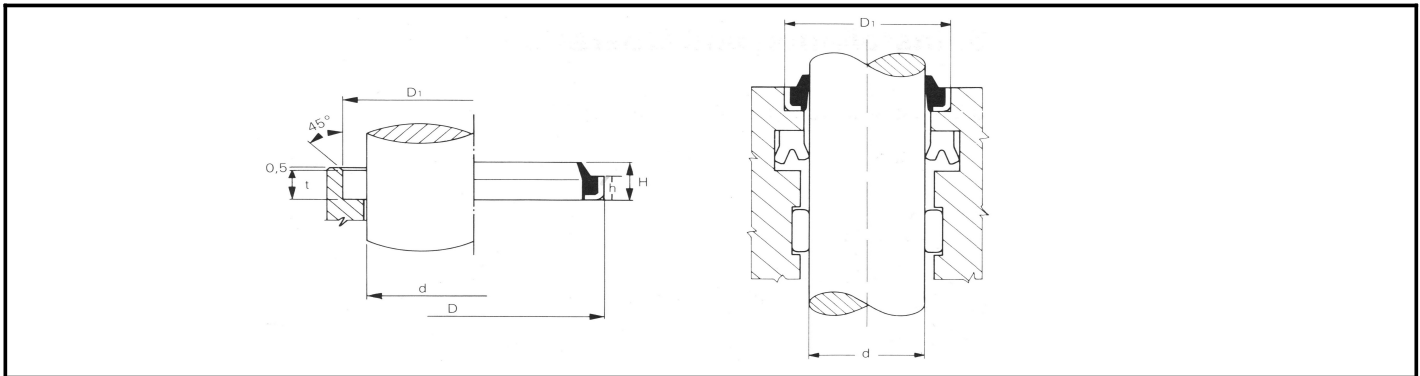
34

Abstreifer:

Abstreifer bestehen aus einem Haftteil mit oder ohne Blech- Armierung und einer elastischen Abstreiflippe Aus NBR, AU/Polyurethan oder FPM (Viton®)
 An axial bewegten Stangen bei hydraulischen und Pneumatischen Zylindern zum Abstreifen von Verunreinigungen. Bei ausgefahrener Kolbenstange lagern sich Verunreinigungen an der benetzten Stange ab.
 Diese würden ohne Abstreifer in das Innere des Zylinders gelangen und die Druckdichtung Beschädigen.

Wiper Seals:

Strippers consist of an adhesion piece with or Without sheet metal reinforcing and an elastic Stripper lip made of NBR, PU (polyurethane) or FPM (Viton®) compound.
 On axially-movable rods with hydraulic and pneumatic cylinders for the purpose of stripping off impurities. When piston rods are Extended, impurities settle on the moistened rod.
 Without strippers, these would get into the Inside of the cylinder and damage the Pressure seal.



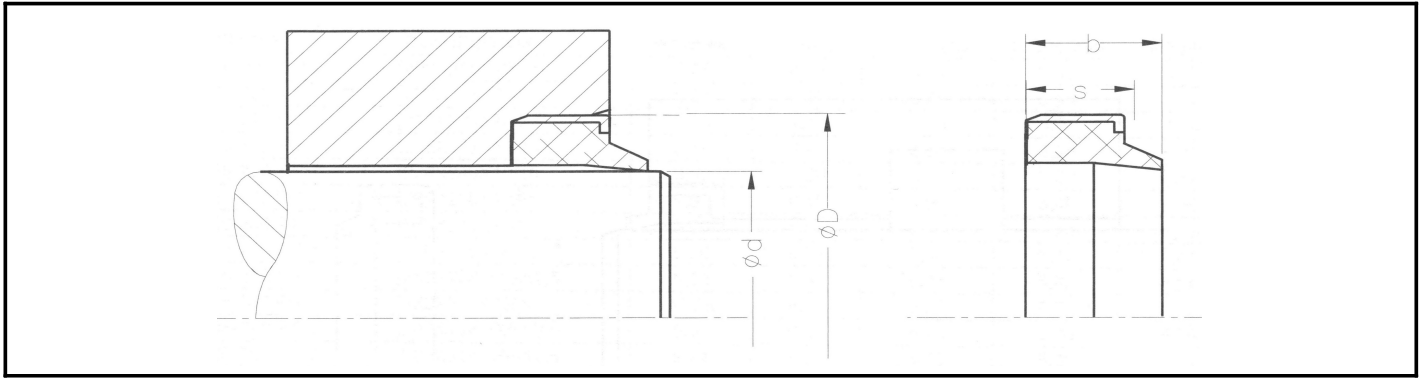
D TH -N D AS

Abstreifer / Wiper

		d	D	h	H		D1	t
NDA S-	00 20	10	- 16	- 3	- 4,5	-	16	- 3
NDAS-	0020-1	10	- 20	- 5	- 8	-	20	- 5
NDAS-	0024	12	- 20	- 4	- 6	-	20	- 4
NDAS-	0024-1	12	- 22	- 5	- 8	-	22	- 5
NDAS-	0028	14	- 22	- 3	- 4	-	22	- 3
NDAS-	0032	16	- 22	- 3	- 4	-	22	- 3
NDAS-	0032	16	- 26	- 5	- 8	-	26	- 5
NDAS-	0036	18	- 28	- 7	- 10	-	28	- 7
NDAS-	0040	20	- 28	- 3,5	- 5	-	28	- 3,5
NDAS-	0040-1	20	- 30	- 7	- 10	-	30	- 7
NDAS-	0044	22	- 28	- 5	- 9	-	28	- 5
NDAS-	0044-1	22	- 32	- 7	- 10	-	32	- 7
NDAS-	0050	25	- 35	- 7	- 10	-	35	- 7
NDAS-	0056	28	- 40	- 7	- 10	-	40	- 7
NDAS-	0060	30	- 40	- 5	- 8	-	40	- 5
NDAS-	0060-1	30	- 40	- 7	- 10	-	40	- 7
NDAS-	0064	32	- 45	- 7	- 10	-	45	- 7
NDAS-	0070	35	- 45	- 7	- 10	-	45	- 7
NDAS-	0072	36	- 45	- 7	- 10	-	45	- 7
NDAS-	0080	40	- 50	- 5	- 8	-	50	- 5
NDAS-	0080-1	40	- 50	- 7	- 10	-	50	- 7
NDAS-	0084	42	- 52	- 7	- 10	-	52	- 7
NDAS-	0084-1	45	- 55	- 7	- 10	-	55	- 7
NDAS-	0090	45	- 60	- 7	- 10	-	60	- 7
NDAS-	0100	50	- 56	- 5	- 8	-	56	- 5

DTH-NDAS**Abstreifer / Wiper**

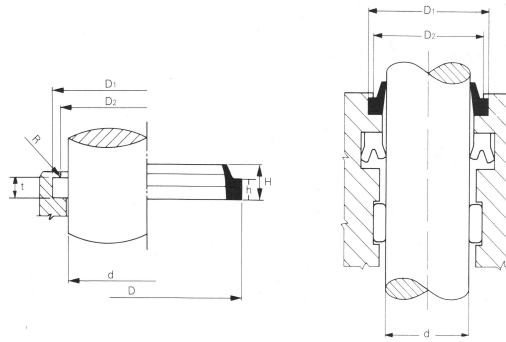
Nummer:	d	D	h	H	D1	t
NDAS- 0100-1	50	- 60	- 7	- 10	- 60	- 7
NDAS- 0100-2	50	- 65	- 5	- 8	- 65	- 5
NDAS- 0104	52	- 62	- 7	- 10	- 62	- 7
NDAS- 0110	55	- 65	- 7	- 10	- 65	- 7
NDAS- 0120	60	- 70	- 7	- 10	- 70	- 7
NDAS- 0126	63	- 75	- 7	- 10	- 75	- 7
NDAS- 0130	65	- 75	- 7	- 10	- 75	- 7
NDAS- 0140	70	- 80	- 7	- 10	- 80	- 7
NDAS- 0150	75	- 85	- 7	- 10	- 85	- 7
NDAS- 0160	80	- 90	- 7	- 10	- 90	- 7
NDAS- 0170	85	- 95	- 7	- 10	- 95	- 7
NDAS- 0180	90	- 100	- 7	- 10	- 100	- 7
NDAS- 0190	95	- 105	- 7	- 10	- 105	- 7
NDAS- 0200	100	- 110	- 7	- 10	- 110	- 7
NDAS- 0210	105	- 115	- 7	- 10	- 115	- 7
NDAS- 0220	110	- 120	- 7	- 10	- 120	- 7
NDAS- 0230	115	- 125	- 7	- 10	- 125	- 7
NDAS- 0240	120	- 130	- 7	- 10	- 130	- 7
NDAS- 0250	125	- 140	- 9	- 12	- 140	- 9
NDAS- 0260	130	- 145	- 9	- 12	- 145	- 9
NDAS- 0280	140	- 155	- 9	- 12	- 155	- 9
NDAS- 0340	170	- 185	- 10	- 14	- 185	- 10
NDAS- 0360	180	- 195	- 10	- 14	- 195	- 10
NDAS- 0400	200	- 220	- 12	- 16	- 220	- 12
NDAS- 0640	320	- 340	- 12	- 16	- 340	- 12



DTH-WI-14000-PU-M

PU Abstreifer mit Metallgehäuse / PU Metal Case Wiper

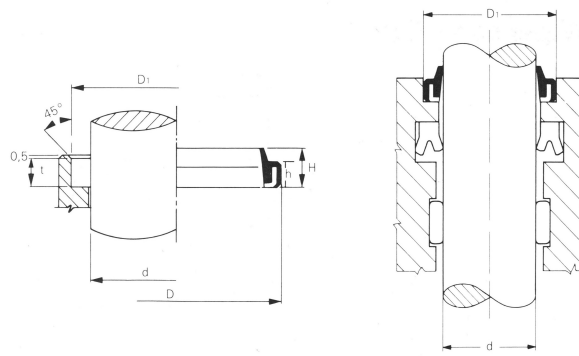
Nummer:	d	D	b	Nummer:	d	D	b
WI-14000- 0040P	20	- 30	- 10/7	WI-14000- 0140P	70	- 80	- 10/7
WI-14000- 0044P	22	- 32	- 8/5	WI-14000- 0150P	75	- 85	- 10/7
WI-14000- 0050P	25	- 35	- 10/7	WI-14000- 0160P	80	- 90	- 10/7
WI-14000- 0056P	28	- 38	- 7/10	WI-14000- 0160-1P	80	- 94	- 11/8
WI-14000- 0060-1P	30	- 40	- 10/7	WI-14000- 0170P	85	- 99	- 11/8
WI-14000- 0064-2P	32	- 42	- 10/7	WI-14000- 0170-1P	85	- 95	- 7/10
WI-14000- 0070P	35	- 45	- 10/7	WI-14000- 0180P	90	- 100	- 10/7
WI-14000- 0080P	40	- 50	- 10/7	WI-14000- 0180-1P	90	- 104	- 11/8
WI-14000- 0090P	45	- 55	- 10/7	WI-14000- 0190P	95	- 105	- 10/7
WI-14000- 0100P	50	- 60	- 10/7	WI-14000- 0200P	100	- 110	- 10/7
WI-14000- 0110P	55	- 65	- 10/7	WI-14000- 0130-1P	130	- 146	- 9/12
WI-14000- 0120P	60	- 70	- 10/7	WI-14000- 0320P	160	- 175	- 12/9
WI-14000- 0130P	65	- 75	- 10/7	WI-14000- 0360P	180	- 195	- 14/10



DTH-NDP6

Abstreifer / Wiper

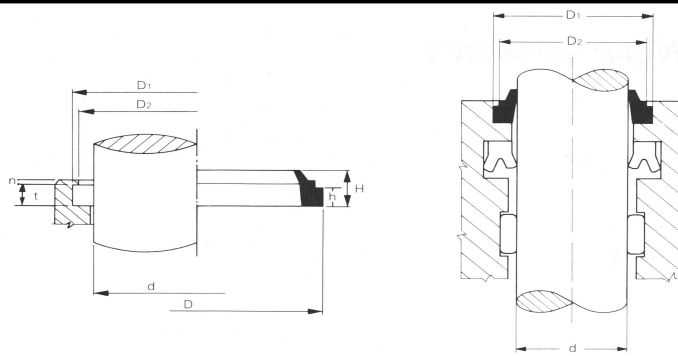
Nummer:	d	D	h	H	D1	D2	t	R
NDP6- 0040	20	- 28	- 5	- 7	28,6	23	- 5,3	- 1
NDP6- 0044	22	- 30	- 5	- 7	30,6	25	- 5,3	- 1
NDP6- 0050	25	- 33	- 5	- 7	33,6	28	- 5,3	- 1
NDP6- 0056	28	- 36	- 5	- 7	36,6	31	- 5,3	- 1
NDP6- 0060	30	- 38	- 5	- 7	38,6	33	- 5,3	- 1
NDP6- 0064	32	- 40	- 5	- 7	40,6	35	- 5,3	- 1
NDP6- 0070	35	- 43	- 5	- 7	43,6	38	- 5,3	- 1
NDP6- 0072	36	- 44	- 5	- 7	44,6	39	- 5,3	- 1
NDP6- 0080	40	- 48	- 5	- 7	48,6	43	- 5,3	- 1
NDP6- 0084	42	- 50	- 5	- 7	50,6	45	- 5,3	- 1
NDP6- 0090	45	- 55	- 5	- 7	55,6	48	- 5,3	- 1
NDP6- 0100	50	- 60	- 5	- 7	60,6	53	- 5,3	- 1
NDP6- 0110	55	- 65	- 5	- 7	65,6	58	- 5,3	- 1
NDP6- 0112	56	- 66	- 5	- 7	66,6	59	- 5,3	- 1
NDP6- 0120	60	- 70	- 5	- 7	70,6	63	- 5,3	- 1
NDP6- 0126	63	- 73	- 5	- 7	73,6	66	- 5,3	- 1
NDP6- 0130	65	- 75	- 5	- 7	75,6	68	- 5,3	- 1
NDP6- 0140	70	- 80	- 5	- 7	80,6	73	- 5,3	- 1
NDP6- 0150	75	- 87	- 7	- 12	87,2	81	- 7,1	- 1
NDP6- 0160	80	- 92	- 7	- 12	92,2	86	- 7,1	- 1
NDP6- 0170	85	- 97	- 7	- 12	97,2	91	- 7,1	- 1
NDP6- 0180	90	- 102	- 7	- 12	102,2	96	- 7,1	- 1
NDP6- 0190	95	- 107	- 7	- 12	107,2	101	- 7,1	- 1
NDP6- 0200	100	- 112	- 7	- 12	112,2	106	- 7,1	- 1
NDP6- 0220	110	- 122	- 7	- 12	122,2	116	- 7,1	- 1
NDP6- 0230	115	- 127	- 7	- 12	127,2	121	- 7,1	- 1
NDP6- 0250	125	- 140	- 10	- 16	140	132,6	- 10,1	- 1,5
NDP6- 0280	140	- 155	- 10	- 16	155	147,6	- 10,1	- 1,5
NDP6- 0300	150	- 165	- 10	- 16	165	157,6	- 10,1	- 1,5
NDP6- 0320	160	- 175	- 10	- 16	175	167,6	- 10,1	- 1,5
NDP6- 0360	180	- 200	- 10	- 18	200	190	- 10,2	- 3
NDP6- 0400	200	- 220	- 10	- 18	220	210	- 10,2	- 3



DTH-NDP7

Abstreifer / Wiper

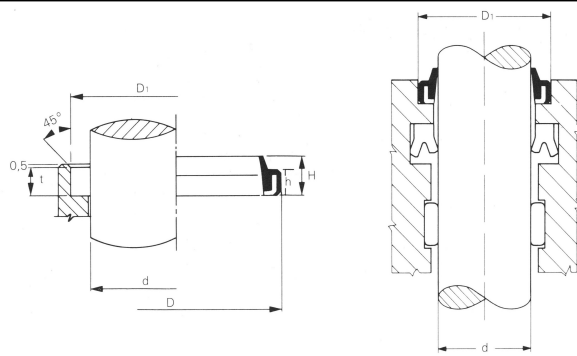
Nummer:	d	D	h	H	D1	t
NDP7- 0016	8	- 14	- 3,5	- 5	- 14	- 3,5
NDP7- 0020	10	- 16	- 3,5	- 5	- 16	- 3,5
NDP7- 0024	12	- 18	- 3,5	- 5	- 18	- 3,5
NDP7- 0028	14	- 20	- 3,5	- 5	- 20	- 3,5
NDP7- 0030	15	- 21	- 3,5	- 5	- 21	- 3,5
NDP7- 0032	16	- 22	- 3,5	- 5	- 22	- 3,5
NDP7- 0032-1	16	- 24	- 3,5	- 5	- 24	- 3,5
NDP7- 0034	17	- 22	- 5	- 7	- 22	- 5
NDP7- 0036	18	- 28	- 5	- 7	- 28	- 5
NDP7- 0040	20	- 30	- 5	- 7	- 30	- 5
NDP7- 0044	22	- 32	- 5	- 7	- 32	- 5
NDP7- 0050	25	- 35	- 5	- 7	- 35	- 5
NDP7- 0056	28	- 38	- 5	- 7	- 38	- 5
NDP7- 0060	30	- 40	- 5	- 7	- 40	- 5
NDP7- 0064	32	- 42	- 5	- 7	- 42	- 5
NDP7- 0070	35	- 45	- 7	- 10	- 45	- 7
NDP7- 0072	36	- 46	- 5	- 7	- 46	- 5
NDP7- 0080	40	- 50	- 5	- 8	- 50	- 5
NDP7- 0084	42	- 52	- 5	- 7	- 52	- 5
NDP7- 0090	45	- 55	- 5	- 7	- 55	- 5
NDP7- 0100	50	- 56	- 5	- 7	- 56	- 5
NDP7- 0100-1	50	- 60	- 5	- 7	- 60	- 5
NDP7- 0110	55	- 65	- 5	- 7	- 65	- 5
NDP7- 0112	56	- 66	- 5	- 7	- 66	- 5
NDP7- 0120	60	- 70	- 5	- 7	- 70	- 5
NDP7- 0126	63	- 73	- 5	- 7	- 73	- 5
NDP7- 0130	65	- 75	- 5	- 7	- 75	- 5
NDP7- 0140	70	- 80	- 5	- 7	- 80	- 5
NDP7- 0150	75	- 83	- 7	- 10	- 83	- 7
NDP7- 0160	80	- 88	- 7	- 10	- 88	- 7
NDP7- 0180	90	- 100	- 5	- 7	- 100	- 5



DTH-NDP8

Abstreifer / Wiper

Nummer:	d	D	h	H	D1	D2	t	n
NDP8- 0016	8	- 16	- 4	- 7	16	14	- 4,15	- 1
NDP8- 0020	10	- 18	- 4	- 7	18	16	- 4,15	- 1
NDP8- 0024	12	- 20	- 4	- 7	20	18	- 4,15	- 1
NDP8- 0028	14	- 22	- 4	- 7	22	20	- 4,15	- 1
NDP8- 0032	16	- 24	- 4	- 7	24	22	- 4,15	- 1
NDP8- 0036	18	- 26	- 4	- 7	26	24	- 4,15	- 1
NDP8- 0040	20	- 28	- 4	- 7	28	26	- 4,15	- 1
NDP8- 0044	22	- 30	- 4	- 7	30	28	- 4,15	- 1
NDP8- 0050	25	- 33	- 4	- 7	33	31	- 4,15	- 1
NDP8- 0056	28	- 36	- 4	- 7	36	34	- 4,15	- 1
NDP8- 0060	30	- 38	- 4	- 7	38	36	- 4,15	- 1
NDP8- 0064	32	- 40	- 4	- 7	40	38	- 4,15	- 1
NDP8- 0070	35	- 43	- 4	- 7	43	41	- 4,15	- 1
NDP8- 0072	36	- 44	- 4	- 7	44	42	- 4,15	- 1
NDP8- 0080	40	- 48	- 4	- 7	48	46	- 4,15	- 1
NDP8- 0084	42	- 50	- 4	- 7	50	48	- 4,15	- 1
NDP8- 0090	45	- 53	- 4	- 7	53	51	- 4,15	- 1
NDP8- 0100	50	- 58	- 4	- 7	58	56	- 4,15	- 1
NDP8- 0110	55	- 63	- 4	- 7	63	61	- 4,15	- 1
NDP8- 0112	56	- 64	- 4	- 7	64	62	- 4,15	- 1
NDP8- 0120	60	- 68	- 4	- 7	68	66	- 4,15	- 1
NDP8- 0126	63	- 71	- 4	- 7	71	69	- 4,15	- 1
NDP8- 0140	70	- 78	- 4	- 7	78	76	- 4,15	- 1
NDP8- 0160	80	- 88	- 4	- 7	88	86	- 4,15	- 1
NDP8- 0180	90	- 98	- 4	- 7	98	96	- 4,15	- 1
NDP8- 0200	100	- 108	- 4	- 7	108	106	- 4,15	- 1
NDP8- 0220	110	- 122	- 5,5	- 10	122	119	- 5,65	- 1,5
NDP8- 0250	125	- 137	- 5,5	- 10	137	134	- 5,65	- 1,5
NDP8- 0280	140	- 152	- 5,5	- 10	152	149	- 5,65	- 1,5
NDP8- 0320	160	- 172	- 5,5	- 10	172	169	- 5,65	- 1,5
NDP8- 0360	180	- 192	- 5,5	- 10	192	189	- 5,65	- 1,5
NDP8- 0400	200	- 212	- 5,5	- 10	212	209	- 5,65	- 1,5
NDP8- 0440	220	- 235	- 6,5	- 13	235	231	- 6,65	- 2
NDP8- 0500	250	- 265	- 6,5	- 13	265	261	- 6,65	- 2



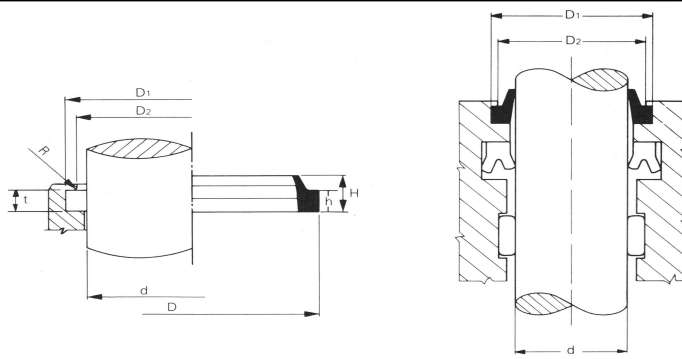
DTH-NDRS

Abstreifer / Wiper

Nummer:	d	D	h	H	D1	t	
NDRS- 0012	6	- 13	- 3	- 4,5	-	13	- 3
NDRS- 0020	10	- 20	- 5	- 8	-	20	- 5
NDRS- 0024	12	- 22	- 5	- 8	-	22	- 5
NDRS- 0030	15	- 25	- 5	- 8	-	25	- 5
NDRS- 0032	16	- 26	- 5	- 8	-	26	- 5
NDRS- 0036	18	- 28	- 5	- 8	-	28	- 5
NDRS- 0040	20	- 30	- 7	- 10	-	30	- 7
NDRS- 0044	22	- 32	- 7	- 10	-	32	- 7
NDRS- 0048	24	- 35	- 5	- 8	-	35	- 5
NDRS- 0050	25	- 35	- 7	- 10	-	35	- 7
NDRS- 0052	26	- 35	- 7	- 10	-	35	- 7
NDRS- 0056	28	- 40	- 7	- 10	-	40	- 7
NDRS- 0060	30	- 40	- 7	- 10	-	40	- 7
NDRS- 0064	32	- 45	- 7	- 10	-	45	- 7
NDRS- 0070	35	- 45	- 7	- 10	-	45	- 7
NDRS- 0072	36	- 45	- 7	- 10	-	45	- 7
NDRS- 0076	38	- 48	- 7	- 10	-	48	- 7
NDRS- 0080	40	- 50	- 7	- 10	-	50	- 7
NDRS- 0084	42	- 52	- 7	- 10	-	52	- 7
NDRS- 0090	45	- 55	- 7	- 10	-	55	- 7
NDRS- 0096	48	- 60	- 7	- 10	-	60	- 7
NDRS- 0100	50	- 60	- 7	- 10	-	60	- 7
NDRS- 0104	52	- 62	- 7	- 10	-	62	- 7
NDRS- 0110	55	- 65	- 7	- 10	-	65	- 7
NDRS- 0120	60	- 70	- 7	- 10	-	70	- 7
NDRS- 0130	65	- 75	- 7	- 10	-	75	- 7
NDRS- 0140	70	- 80	- 7	- 10	-	80	- 7
NDRS- 0150	75	- 85	- 7	- 10	-	85	- 7
NDRS- 0160	80	- 90	- 7	- 10	-	90	- 7
NDRS- 0170	85	- 95	- 7	- 10	-	95	- 7
NDRS- 0180	90	- 100	- 7	- 10	-	100	- 7
NDRS- 0190	95	- 105	- 7	- 10	-	105	- 7
NDRS- 0200	100	- 110	- 7	- 10	-	110	- 7
NDRS- 0210	105	- 115	- 7	- 10	-	115	- 7
NDRS- 0220	110	- 120	- 7	- 10	-	120	- 7
NDRS- 0230	115	- 125	- 7	- 10	-	125	- 7
NDRS- 0240	120	- 130	- 7	- 10	-	130	- 7
NDRS- 0250	125	- 140	- 9	- 12	-	140	- 9
NDRS- 0260	130	- 145	- 9	- 12	-	145	- 9

DTH-NDRS**Abstreifer / Wiper**

Nummer:	d	D	h	H	D1	t
NDRS- 0280	140	- 155	- 9	- 12	- 155	- 9
NDRS- 0300	150	- 165	- 9	- 12	- 165	- 9
NDRS- 0320	160	- 175	- 9	- 12	- 175	- 9
NDRS- 0340	170	- 185	- 10	- 14	- 185	- 10
NDRS- 0360	180	- 195	- 10	- 14	- 195	- 10
NDRS- 0400	200	- 220	- 12	- 16	- 220	- 12
NDRS- 0440	220	- 240	- 12	- 16	- 240	- 12



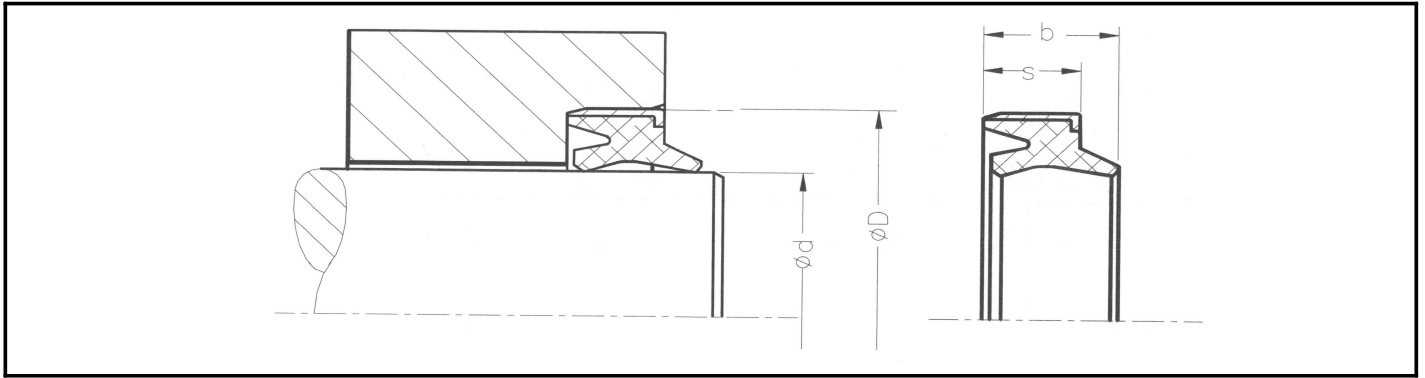
DTH-NDWR

Abstreifer / Wiper

Nummer:	d	D	h	H	D1	D2	t	R
NDWR- 0024	12	- 18	- 3,5	- 5	18,6	15	- 3,8	- 1
NDWR- 0026	13	- 19	- 3,5	- 5	19,6	16	- 3,8	- 1
NDWR- 0028	14	- 21	- 3,5	- 5	21,6	18	- 3,8	- 1
NDWR- 0030	15	- 21	- 3,5	- 5	21,6	18	- 3,8	- 1
NDWR- 0032	16	- 22	- 3,5	- 5	22,6	19	- 3,8	- 1
NDWR- 0034	17	- 23	- 3,5	- 5	23,6	20	- 3,8	- 1
NDWR- 0036	18	- 24	- 3,5	- 5	24,6	21	- 3,8	- 1
NDWR- 0038	19	- 28	- 5	- 7	28,6	22	- 5,3	- 1
NDWR- 0040	20	- 28	- 5	- 7	28,6	23	- 5,3	- 1
NDWR- 0044	22	- 30	- 5	- 7	30,6	25	- 5,3	- 1
NDWR- 0048	24	- 32	- 5	- 7	32,6	27	- 5,3	- 1
NDWR- 0050	25	- 33	- 5	- 7	33,6	28	- 5,3	- 1
NDWR- 0052	26	- 34	- 5	- 7	34,6	29	- 5,3	- 1
NDWR- 0054	27	- 35	- 5	- 7	35,6	30	- 5,3	- 1
NDWR- 0056	28	- 36	- 5	- 7	36,6	31	- 5,3	- 1
NDWR- 0060	30	- 38	- 5	- 7	38,6	33	- 5,3	- 1
NDWR- 0064	32	- 40	- 5	- 7	40,6	35	- 5,3	- 1
NDWR- 0066	33	- 41	- 5	- 7	41,6	36	- 5,3	- 1
NDWR- 0070	35	- 43	- 5	- 7	43,6	38	- 5,3	- 1
NDWR- 0072	36	- 44	- 5	- 7	44,6	39	- 5,3	- 1
NDWR- 0076	38	- 46	- 5	- 7	46,6	41	- 5,3	- 1
NDWR- 0080	40	- 48	- 5	- 7	48,6	43	- 5,3	- 1
NDWR- 0084	42	- 50	- 5	- 7	50,6	45	- 5,3	- 1
NDWR- 0090	45	- 53	- 5	- 7	53,6	48	- 5,3	- 1
NDWR- 0092	46	- 54	- 5	- 7	54,6	49	- 5,3	- 1
NDWR- 0096	48	- 56	- 5	- 7	56,6	51	- 5,3	- 1
NDWR- 0100	50	- 58	- 5	- 7	58,6	53	- 5,3	- 1
NDWR- 0106	53	- 61	- 5	- 7	61,6	56	- 5,3	- 1
NDWR- 0110	55	- 63	- 5	- 7	63,6	58	- 5,3	- 1
NDWR- 0112	56	- 64	- 5	- 7	64,6	59	- 5,3	- 1
NDWR- 0120	60	- 68	- 5	- 7	68,6	63	- 5,3	- 1
NDWR- 0126	63	- 71	- 5	- 7	71,6	66	- 5,3	- 1
NDWR- 0130	65	- 73	- 5	- 7	73,6	68	- 5,3	- 1
NDWR- 0140	70	- 78	- 5	- 7	78,6	73	- 5,3	- 1
NDWR- 0140-1	70	- 82	- 7	- 12	82,2	76	- 7,1	- 1
NDWR- 0146	73	- 81	- 5	- 7	81,6	76	- 5,3	- 1
NDWR- 0150	75	- 83	- 5	- 7	83,6	78	- 5,3	- 1
NDWR- 0150-1	75	- 87	- 7	- 12	87,2	81	- 7,1	- 1

DTH-NDWR**Abstreifer / Wiper**

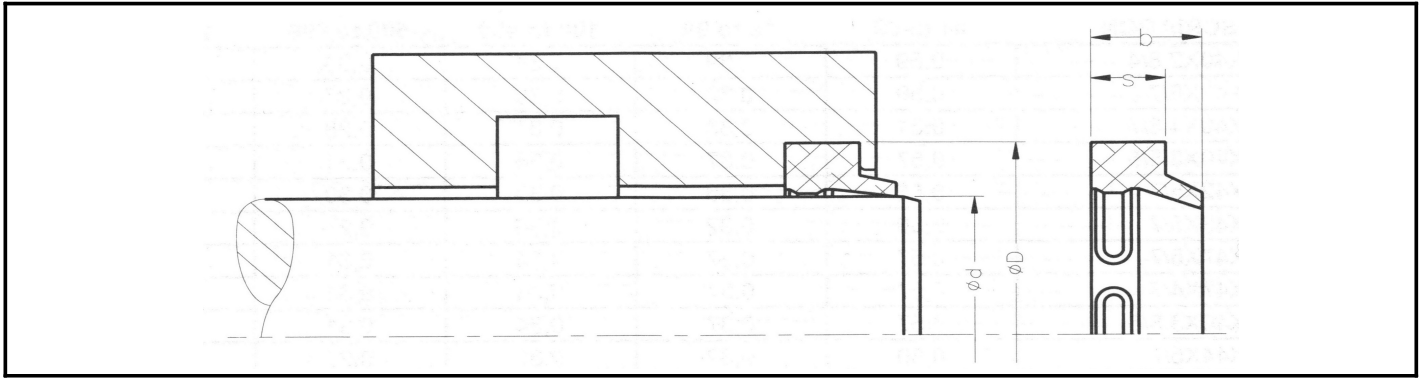
Nummer:	d	D	h	H	D1	D2	t	R
NDWR- 0156	78	- 92	- 7	- 12	92,2	85	- 7,1	- 1
NDWR- 0160	80	- 88	- 5	- 7	88,6	83	- 5,3	- 1
NDWR- 0160-1	80	- 92	- 7	- 12	92,2	86	- 7,1	- 1
NDWR- 0166	83	- 91	- 5	- 7	91,6	86	- 5,3	- 1
NDWR- 0170	85	- 93	- 5	- 7	93,6	88	- 5,3	- 1
NDWR- 0170-1	85	- 97	- 7	- 12	97,2	91	- 7,1	- 1
NDWR- 0176	88	- 100	- 7	- 12	100,2	94	- 7,1	- 1
NDWR- 0180	90	- 102	- 7	- 12	102,2	96	- 7,1	- 1
NDWR- 0190	95	- 107	- 7	- 12	107,2	101	- 7,1	- 1
NDWR- 0200	100	- 112	- 7	- 12	112,2	106	- 7,1	- 1



DTH-WI-24000-PUM

Doppelabstreifer mit Metall / Metal Case Double Wiper

Nummer:	d	D	b	Nummer:	d	D	b
WI-24000- 0040P	20	- 32	- 6/9	WI-24000- 0150P	75	- 89	- 8/11
WI-24000- 0050P	25	- 37	- 6/9	WI-24000- 0160P	80	- 94	- 8/11
WI-24000- 0060P	30	- 42	- 6/9	WI-24000- 0170P	85	- 99	- 8/11
WI-24000- 0064P	32	- 44	- 7/10	WI-24000- 0180P	90	- 104	- 8/11
WI-24000- 0070P	35	- 47	- 7/10	WI-24000- 0190P	95	- 109	- 8/11
WI-24000- 0080P	40	- 52	- 7/10	WI-24000- 0200P	100	- 114	- 8/11
WI-24000- 0090P	45	- 57	- 7/10	WI-24000- 0210P	105	- 121	- 9/12
WI-24000- 0100P	50	- 62	- 7/10	WI-24000- 0220P	110	- 126	- 9/12
WI-24000- 0110P	55	- 69	- 8/11	WI-24000- 0230P	115	- 131	- 9/12
WI-24000- 0120P	60	- 74	- 8/11	WI-24000- 0240P	120	- 136	- 9/12
WI-24000- 0130P	65	- 79	- 8/11	WI-24000- 0260P	130	- 146	- 9/12
WI-24000- 0140P	70	- 84	- 8/11	WI-24000- 0280P	140	- 160	- 10/14



DTH-WI-12000-NB

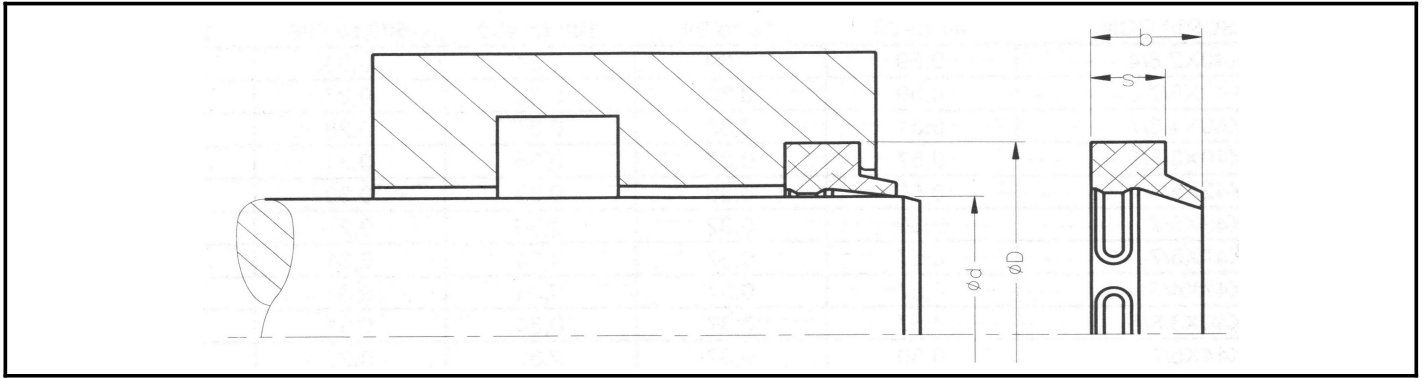
Abstreifer / Wiper

Nummer:	d	D	b	Nummer:	d	D	b
WI-12000- 0010	5	- 12	- 2,5/4	WI-12000- 0060-1	30	- 45	- 5/8
WI-12000- 0016	8	- 14	- 3/5	WI-12000- 0060-2	30	- 39	- 5/10
WI-12000- 0016-1	8	- 12	- 2/3	WI-12000- 0060-3	30	- 40	- 2,8/4
WI-12000- 0016-2	8	- 14	- 3,5/4,5	WI-12000- 0064	32	- 40	- 5/7
WI-12000- 0020	10	- 14	- 2/3	WI-12000- 0064-1	32	- 40	- 4,8/7
WI-12000- 0020-2	10	- 16	- 3,5/5	WI-12000- 0064-2	32	- 40	- 3,5/5
WI-12000- 0024-1	12	- 18	- 3,4/5,5	WI-12000- 0066	33	- 42	- 5/7
WI-12000- 0024-2	12	- 20	- 5/7	WI-12000- 0070	35	- 43	- 5/7
WI-12000- 0024-3	12	- 16	- 3/4,5	WI-12000- 0070-1	35	- 47	- 5/7
WI-12000- 0024-4	12	- 18	- 3,5/5	WI-12000- 0070-2	35	- 47	- 4/7
WI-12000- 0028	14	- 18	- 2/3,3	WI-12000- 0070-3	35	- 40	- 3,5/5
WI-12000- 0028-1	14	- 20	- 3,5/5	WI-12000- 0072	36	- 44	- 5/7
WI-12000- 0030-2	15	- 27	- 5/7	WI-12000- 0072-1	36	- 48	- 5/7
WI-12000- 0030-1	15	- 21,6	- 3,5/5	WI-12000- 0076-1	38	- 46	- 5/7
WI-12000- 0032	16	- 24	- 5/7	WI-12000- 0076-3	38	- 44	- 5/7
WI-12000- 0032-1	16	- 22	- 3,4/5,5	WI-12000- 0080	40	- 48	- 5/7
WI-12000- 0032-2	16	- 22	- 3,5/5	WI-12000- 0080-1	40	- 48	- 4/7
WI-12000- 0032-3	16	- 22,6	- 3/4	WI-12000- 0080-2	40	- 52	- 5/8
WI-12000- 0032-4	16	- 19,4	- 3/5	WI-12000- 0080-3	40	- 50	- 5/7
WI-12000- 0036	18	- 26	- 5/7	WI-12000- 0080-4	40	- 52	- 6/8
WI-12000- 0036-1	18	- 30	- 5/7	WI-12000- 0084	42	- 50	- 5/7
WI-12000- 0036-2	18	- 24	- 3,4/5,5	WI-12000- 0086	43	- 55	- 5/7
WI-12000- 0036-3	18	- 24	- 3,5/5	WI-12000- 0090	45	- 55	- 5/7
WI-12000- 0038-1	19	- 28	- 5/7	WI-12000- 0090-1	45	- 53	- 5/7
WI-12000- 0040	20	- 28	- 5/7	WI-12000- 0090-2	45	- 60	- 4/6
WI-12000- 0040-1	20	- 25	- 4/6	WI-12000- 0092	46	- 54	- 5/7
WI-12000- 0040-2	20	- 30	- 5/7	WI-12000- 0096	48	- 56	- 5/7
WI-12000- 0044	22	- 30	- 5/7	WI-12000- 0100	50	- 60	- 5/7
WI-12000- 0044-2	22	- 30	- 2/3,5	WI-12000- 0100-1	50	- 58	- 5/7
WI-12000- 0048	24	- 32	- 5/7	WI-12000- 0100-2	50	- 65	- 7,5/12
WI-12000- 0048-1	24	- 32	- 2/3,5	WI-12000- 0100-4	50	- 58	- 4/6
WI-12000- 0050	25	- 33	- 5/7	WI-12000- 0100-6	50	- 62	- 5/7
WI-12000- 0050-2	25	- 30	- 4,5/6,5	WI-12000- 0100-7	50	- 58	- 4/7
WI-12000- 0050-4	25	- 30	- 4/6	WI-12000- 0100-8	50	- 65	- 4/6
WI-12000- 0054	27	- 35	- 5/7	WI-12000- 0106	53	- 61	- 5/7
WI-12000- 0056	28	- 36	- 5/7	WI-12000- 0110	55	- 65	- 5/7
WI-12000- 0056-1	28	- 38	- 5/7	WI-12000- 0110-1	55	- 67	- 7/12
WI-12000- 0060	30	- 38	- 5/7	WI-12000- 0110-2	55	- 63	- 5/7

DTH-WI-12000-NB

Abstreifer / Wiper

Nummer:	d	D	b	Nummer:	d	D	b
WI-12000- 0112-1	56	- 64	- 5/7	WI-12000- 0250-1	125	- 133	- 5/7
WI-12000- 0112	56	- 66	- 5/7	WI-12000- 0250-2	125	- 137	- 7/12
WI-12000- 0116	58	- 68	- 5/7	WI-12000- 0260	130	- 145	- 10/16
WI-12000- 0120	60	- 70	- 5/7	WI-12000- 0260-1	130	- 142	- 7/12
WI-12000- 0120-1	60	- 68	- 5/7	WI-12000- 0270	135	- 147	- 7/12
WI-12000- 0120-2	60	- 70	- 7/10	WI-12000- 0270-2	135	- 149	- 7/12
WI-12000- 0120-3	60	- 70	- 6/10	WI-12000- 0280	140	- 155	- 10/16
WI-12000- 0120-5	60	- 70	- 5,2/7	WI-12000- 0280-2	140	- 152	- 7/12
WI-12000- 0120-6	60	- 68	- 5/6,5	WI-12000- 0280-4	140	- 150	- 5/7
WI-12000- 0126	63	- 73	- 5/7	WI-12000- 0300	150	- 165	- 10/16
WI-12000- 0126-1	63	- 71	- 5/7	WI-12000- 0310	155	- 167	- 7/12
WI-12000- 0126-4	63	- 75	- 6/9	WI-12000- 0320	160	- 175	- 10/16
WI-12000- 0130	65	- 75	- 5/7	WI-12000- 0320-1	160	- 172	- 7/12
WI-12000- 0130-1	65	- 73	- 5/7	WI-12000- 0320-4	160	- 172	- 7,5/12
WI-12000- 0130-2	65	- 77	- 7/12	WI-12000- 0320-6	160	- 175	- 9,2/13
WI-12000- 0140	70	- 80	- 5/7	WI-12000- 0326	163	- 175	- 7/12
WI-12000- 0140-1	70	- 78	- 5/7	WI-12000- 0330	165	- 180	- 10/16
WI-12000- 0140-3	70	- 82	- 7/12	WI-12000- 0340	170	- 185	- 10/16
WI-12000- 0150	75	- 87	- 7/12	WI-12000- 0340-2	170	- 182	- 7/12
WI-12000- 0150-1	75	- 83	- 5/7	WI-12000- 0360	180	- 200	- 10/18
WI-12000- 0150-2	75	- 85	- 5/7	WI-12000- 0360-5	180	- 195	- 7/16
WI-12000- 0160	80	- 92	- 7/12	WI-12000- 0370	185	- 197	- 7/12
WI-12000- 0160-1	80	- 88	- 5/7	WI-12000- 0370-1	185	- 200	- 10/16
WI-12000- 0164	82	- 95	- 5/7	WI-12000- 0380	190	- 210	- 10/18
WI-12000- 0170	85	- 97	- 7/12	WI-12000- 0400	200	- 220	- 10/18
WI-12000- 0170-1	85	- 93	- 5/7	WI-12000- 0420	210	- 230	- 10/18
WI-12000- 0180-3	90	- 98	- 5/7	WI-12000- 0420-1	210	- 225	- 10/16
WI-12000- 0176-1	88	- 100	- 7/12	WI-12000- 0424	212	- 224	- 7/12
WI-12000- 0180	90	- 102	- 7/12	WI-12000- 0440	220	- 235	- 10/18
WI-12000- 0180-1	90	- 100	- 7/12	WI-12000- 0440-2	220	- 240	- 10/18
WI-12000- 0190	95	- 107	- 7/12	WI-12000- 0440-3	220	- 235	- 10/16
WI-12000- 0190-1	95	- 103	- 5/7	WI-12000- 0450	225	- 245	- 10/18
WI-12000- 0200	100	- 112	- 7/12	WI-12000- 0460	230	- 250	- 10/18
WI-12000- 0200-1	100	- 108	- 5/7	WI-12000- 0480	240	- 260	- 10/18
WI-12000- 0200-3	100	- 108	- 5,7/8	WI-12000- 0480-1	240	- 248	- 5/7
WI-12000- 0200-5	100	- 110	- 5/7	WI-12000- 0500	250	- 270	- 10/18
WI-12000- 0206	103	- 115	- 7/12	WI-12000- 0520	260	- 280	- 10/18
WI-12000- 0210	105	- 117	- 7/12	WI-12000- 0540	270	- 290	- 10/18
WI-12000- 0210-1	105	- 113	- 5/7	WI-12000- 0540-1	270	- 285	- 8/12
WI-12000- 0220	110	- 122	- 7/12	WI-12000- 0560	280	- 300	- 10/18
WI-12000- 0220-1	110	- 118	- 5/7	WI-12000- 0600	300	- 320	- 10/18
WI-12000- 0230	115	- 127	- 7/12	WI-12000- 0640	320	- 335	- 8/12
WI-12000- 0230-1	115	- 123	- 5/7	WI-12000- 0660	330	- 354	- 8/15
WI-12000- 0230-2	115	- 125	- 5/7	WI-12000- 0660-1	330	- 346	- 10/16
WI-12000- 0240	120	- 132	- 7/12				
WI-12000- 0240-3	120	- 128	- 5/7				
WI-12000- 0240-2	120	- 130	- 5/7				
WI-12000- 0250	125	- 140	- 10/16				



DTH-WI-12000-PU

Abstreifer / Wiper

Nummer:	d	D	b	Nummer:	d	D	b
WI-12000- 0010P	5	- 12	- 2,5/4	WI-12000- 0066P	33	- 42	- 5/7
WI-12000- 0016-2P	8	- 14	- 3,5/4,5	WI-12000- 0070-3P	35	- 40	- 3,5/5
WI-12000- 0020-1P	10	- 18	- 5/8	WI-12000- 0070P	35	- 43	- 5/7
WI-12000- 0020-2P	10	- 16	- 3,5/5	WI-12000- 0072P	36	- 44	- 5/7
WI-12000- 0024-1P	12	- 18	- 3,4/5,5	WI-12000- 0076-1P	38	- 46	- 5/7
WI-12000- 0024-3P	12	- 16	- 3/4,5	WI-12000- 0076-3P	38	- 44	- 5/7
WI-12000- 0024-4P	12	- 18	- 3,5/5,5	WI-12000- 0080-1P	40	- 48	- 4/7
WI-12000- 0028-1P	14	- 20	- 3,5/5	WI-12000- 0080-2P	40	- 52	- 5/8
WI-12000- 0028P	14	- 18	- 2/3,3	WI-12000- 0080-3P	40	- 50	- 5/7
WI-12000- 0030-1P	15	- 21	- 3,5/5	WI-12000- 0080P	40	- 48	- 5/7
WI-12000- 0030-2P	15	- 27	- 5/7	WI-12000- 0084P	42	- 50	- 5/7
WI-12000- 0032-1P	16	- 22	- 3,4/5,5	WI-12000- 0090-1P	45	- 53	- 5/7
WI-12000- 0032-2P	16	- 22	- 3,5/5	WI-12000- 0090-2P	45	- 60	- 4/6
WI-12000- 0032-3P	16	- 22	- 2,8/4	WI-12000- 0090P	45	- 55	- 5/7
WI-12000- 0032-4P	16	- 19	- 3/5	WI-12000- 0092P	46	- 54	- 5/7
WI-12000- 0032P	16	- 24	- 5/7	WI-12000- 0096P	48	- 56	- 5/7
WI-12000- 0036-2P	18	- 24	- 4/5,5	WI-12000- 0100-1P	50	- 58	- 5/7
WI-12000- 0036-3P	18	- 24	- 5/3,5	WI-12000- 0100-4P	50	- 58	- 4/6
WI-12000- 0036P	18	- 26	- 5/7	WI-12000- 0100-7P	50	- 58	- 4/7
WI-12000- 0040-1P	20	- 25	- 4/6	WI-12000- 0100-8P	50	- 65	- 4/6
WI-12000- 0040-2P	20	- 30	- 5/7	WI-12000- 0100P	50	- 60	- 5/7
WI-12000- 0040P	20	- 28	- 5/7	WI-12000- 0106P	53	- 61	- 5/7
WI-12000- 0044-2P	22	- 30	- 2/3,5	WI-12000- 0110-1P	55	- 67	- 7/12
WI-12000- 0044P	22	- 30	- 5/7	WI-12000- 0110-2P	55	- 63	- 5/7
WI-12000- 0048-1P	24	- 32	- 2/3,5	WI-12000- 0110P	55	- 65	- 5/7
WI-12000- 0048P	24	- 32	- 5/7	WI-12000- 0112-1P	56	- 64	- 5/7
WI-12000- 0050-2P	25	- 30	- 4,5/6,5	WI-12000- 0112P	56	- 66	- 5/7
WI-12000- 0050-4P	25	- 30	- 4/6	WI-12000- 0116P	58	- 68	- 5/7
WI-12000- 0050P	25	- 33	- 5/7	WI-12000- 0120-1P	60	- 68	- 5/7
WI-12000- 0054P	27	- 35	- 5/7	WI-12000- 0120-2P	60	- 70	- 10/7
WI-12000- 0056-3P	28	- 32	- 2,4/4,2	WI-12000- 0120-3P	60	- 70	- 6/10
WI-12000- 0056P	28	- 36	- 5/7	WI-12000- 0120-5P	60	- 70	- 5,2/7
WI-12000- 0060-1P	30	- 45	- 5/8	WI-12000- 0120-6P	60	- 68	- 5/6,5
WI-12000- 0060-3P	30	- 40	- 2,8/4	WI-12000- 0120P	60	- 70	- 5/7
WI-12000- 0060P	30	- 38	- 5/7	WI-12000- 0122P	61	- 69	- 5/7
WI-12000- 0064-1P	32	- 40	- 4,8/7	WI-12000- 0126-1P	63	- 71	- 5/7
WI-12000- 0064-2P	32	- 40	- 3,5/5	WI-12000- 0126-3P	63	- 73	- 6,1/8,3
WI-12000- 0064P	32	- 40	- 5/7	WI-12000- 0126P	63	- 73	- 5/7

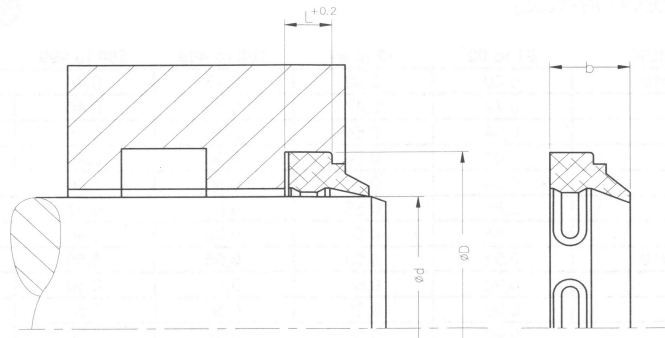
DTH-WI-12000-PU

Abstreifer / Wiper

Nummer:	d	D	b	Nummer:	d	D	b
WI-12000- 0130-1P	65	- 73	- 5/7	WI-12000- 0210P	105	- 117	- 7/12
WI-12000- 0130-2P	65	- 77	- 7/12	WI-12000- 0212P	106	- 118	- 5,7/9
WI-12000- 0130-3P	65	- 76	- 5,8/7	WI-12000- 0214P	107	- 115	- 5/7
WI-12000- 0130P	65	- 75	- 5/7	WI-12000- 0220-2P	110	- 125	- 9,5/14
WI-12000- 0136P	68	- 76	- 5/7	WI-12000- 0220-3P	110	- 125	- 2/13
WI-12000- 0140-1P	70	- 78	- 5/7	WI-12000- 0220P	110	- 122	- 7/12
WI-12000- 0140-2P	70	- 80	- 7/10	WI-12000- 0224P	112	- 124	- 7/12
WI-12000- 0140-3P	70	- 82	- 7/12	WI-12000- 0226P	113	- 125	- 7/12
WI-12000- 0140-5P	70	- 80	- 6/8	WI-12000- 0230-1P	115	- 123	- 5/7
WI-12000- 0140-6P	70	- 80	- 4,7/7	WI-12000- 0230P	115	- 127	- 7/12
WI-12000- 0140P	70	- 80	- 7/5	WI-12000- 0234P	117	- 133	- 9/6
WI-12000- 0146-1P	73	- 83	- 7/12	WI-12000- 0236P	118	- 126	- 4,7/7
WI-12000- 0146P	73	- 81	- 5/7	WI-12000- 0238P	119	- 134	- 9,3/12,3
WI-12000- 0148P	74	- 82	- 5/7	WI-12000- 0240-2P	120	- 130	- 5/7
WI-12000- 0150-1P	75	- 83	- 5/7	WI-12000- 0240-3P	120	- 128	- 5/7
WI-12000- 0150-3P	75	- 85	- 6/8	WI-12000- 0240P	120	- 132	- 7/12
WI-12000- 0150P	75	- 87	- 7/12	WI-12000- 0244P	122	- 129	- 4/7
WI-12000- 0152-1P	76	- 84	- 5/7	WI-12000- 0246P	123	- 131	- 5/7
WI-12000- 0152P	126	- 134	- 5/7	WI-12000- 0250-1P	125	- 133	- 5/7
WI-12000- 0154P	127	- 146	- 9,2/15	WI-12000- 0250-2P	125	- 137	- 7/12
WI-12000- 0156-1P	78	- 88	- 5,2/7	WI-12000- 0250-3P	125	- 140	- 9,1/12,3
WI-12000- 0156P	78	- 92	- 7/12	WI-12000- 0250-4P	125	- 140	- 9/15
WI-12000- 0160-1P	80	- 88	- 5/7	WI-12000- 0250-5P	125	- 138	- 7/10
WI-12000- 0160-2P	80	- 90	- 6/9	WI-12000- 0250P	125	- 140	- 10/16
WI-12000- 0160-3P	80	- 90	- 6/8	WI-12000- 0256P	128	- 140	- 7/12
WI-12000- 0160-7P	160	- 173	- 7/10	WI-12000- 0260-1P	130	- 142	- 7/12
WI-12000- 0160P	80	- 92	- 7/12	WI-12000- 0270P	135	- 147	- 7/12
WI-12000- 0170-1P	85	- 93	- 5/7	WI-12000- 0280-1P	140	- 155	- 8,6/14
WI-12000- 0170-3P	85	- 95	- 6/8	WI-12000- 0280-3P	140	- 155	- 8,7/12
WI-12000- 0170P	85	- 97	- 7/12	WI-12000- 0280-5P	140	- 148	- 5,7/8
WI-12000- 0176-2P	88	- 96	- 5/7	WI-12000- 0280-6P	140	- 152	- 7/12
WI-12000- 0180-3P	90	- 98	- 5/7	WI-12000- 0280-7P	140	- 153	- 7/10
WI-12000- 0180-4P	90	- 100	- 6/9	WI-12000- 0280-8P	140	- 148	- 5/7
WI-12000- 0180-5P	90	- 102	- 5,8/8	WI-12000- 0280P	140	- 155	- 10/16
WI-12000- 0180-6P	90	- 100	- 6/8	WI-12000- 0284-1P	142	- 151	- 5/7
WI-12000- 0180P	90	- 102	- 7/12	WI-12000- 0284-4P	142	- 154	- 7/12
WI-12000- 0182P	91	- 99	- 5/7	WI-12000- 0284P	142	- 149	- 4/7
WI-12000- 0190-1P	95	- 103	- 5/7	WI-12000- 0286P	143	- 151	- 5,2/7
WI-12000- 0190-2P	85	- 95	- 5/7	WI-12000- 0290-1P	145	- 160	- 9/16
WI-12000- 0190-2P	95	- 105	- 6/8	WI-12000- 0290-3P	145	- 157	- 7/12
WI-12000- 0190P	95	- 107	- 7/12	WI-12000- 0290P	145	- 153	- 5/7
WI-12000- 0194P	97	- 105	- 4,7/7	WI-12000- 0300-2P	150	- 162	- 7/12
WI-12000- 0200-2P	100	- 115	- 9,2/13	WI-12000- 0300P	150	- 165	- 10/16
WI-12000- 0200-4P	100	- 110	- 6/8	WI-12000- 0310-1P	155	- 170	- 10/16
WI-12000- 0200P	100	- 112	- 7/12	WI-12000- 0310-2P	155	- 170	- 6,5/10
WI-12000- 0208P	104	- 112	- 7/5	WI-12000- 0320-1P	160	- 172	- 7/12
WI-12000- 0210-1P	105	- 113	- 5/7	WI-12000- 0320-5P	160	- 168	- 7/5
WI-12000- 0210-2P	105	- 120	- 7,2/9,5	WI-12000- 0320-6P	160	- 175	- 9,2/13

DTH-WI-12000-PU**Abstreifer / Wiper**

Nummer:	d	D	b	Nummer:	d	D	b
WI-12000- 0320-8P	160	- 175	- 5/8,5	WI-12000- 0400-2P	200	- 215	- 10/16
WI-12000- 0320P	160	- 175	- 10/16	WI-12000- 0400-4P	200	- 213	- 7/10
WI-12000- 0326P	163	- 175	- 5/12	WI-12000- 0400P	200	- 220	- 10/18
WI-12000- 0330-1P	165	- 173	- 5/7	WI-12000- 0420-1P	210	- 225	- 10/16
WI-12000- 0340-1P	170	- 182	- 10/16	WI-12000- 0424P	212	- 224	- 7/12
WI-12000- 0340-2P	170	- 182	- 7/12	WI-12000- 0430P	215	- 237	- 10/18
WI-12000- 0340-3P	170	- 180	- 5/7	WI-12000- 0440-1P	220	- 240	- 10/16
WI-12000- 0340-4P	170	- 185	- 5/8,5	WI-12000- 0440P	220	- 235	- 10/18
WI-12000- 0340P	170	- 185	- 10/16	WI-12000- 0460-1P	230	- 244	- 7/10
WI-12000- 0342P	171	- 186	- 10/16	WI-12000- 0460P	230	- 250	- 10/18
WI-12000- 0344P	172	- 184	- 7/12	WI-12000- 0480-2P	240	- 255	- 10/16
WI-12000- 0360-1P	180	- 188	- 5/7	WI-12000- 0500-1P	250	- 268,5	- 6/12,5
WI-12000- 0360-2P	180	- 193	- 7/10	WI-12000- 0560-1P	280	- 298,5	- 6/12,5
WI-12000- 0360-3P	180	- 195	- 9,2/14	WI-12000- 0560P	280	- 300	- 10/18
WI-12000- 0360-6P	180	- 195	- 5/13,5	WI-12000- 0600-1P	300	- 318,5	- 6/12,5
WI-12000- 0360P	180	- 200	- 10/18	WI-12000- 0760P	380	- 400	- 10/18
WI-12000- 0370P	185	- 197	- 7/12	WI-12000- 0800P	400	- 418,5	- 6,5/11
WI-12000- 0380P	190	- 210	- 10/18	WI-12000- 0840P	420	- 438,5	- 6,5/11
WI-12000- 0390P	195	- 210	- 10/16	WI-12000- 0900P	450	- 468,5	- 6,5/11
WI-12000- 0400-1P	200	- 215	- 9,3/12,3				



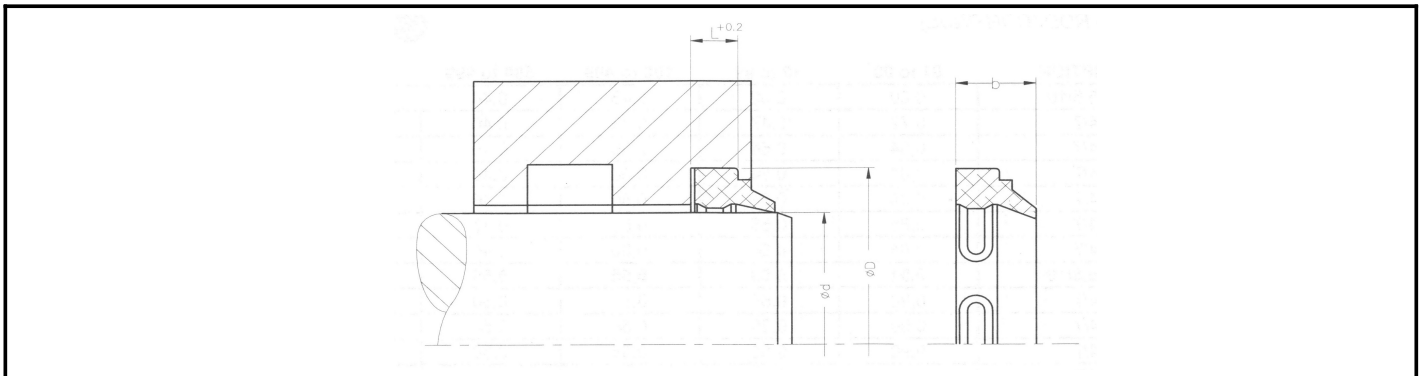
DTH-WI-18000-NB

Abstreifer / Wiper

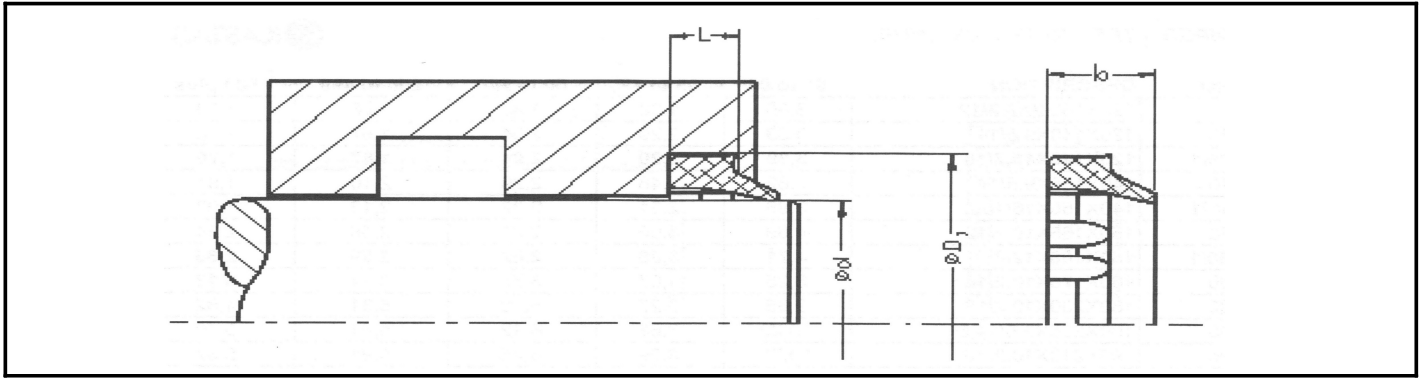
Nummer:	d	D	b	Nummer:	d	D	b
WI-18000- 0006	3	- 7	- 4/2,2	WI-18000- 0096	48	- 56	- 4/7
WI-18000- 0008	4	- 12	- 4/7	WI-18000- 0100	50	- 58	- 4/7
WI-18000- 0010	5	- 8	- 2,2/4	WI-18000- 0100-1	50	- 62	- 5,5/10
WI-18000- 0012	6	- 10	- 2,2/4	WI-18000- 0104	52	- 60	- 4/7
WI-18000- 0016	8	- 16	- 4/7	WI-18000- 0108	54	- 62	- 4/7
WI-18000- 0020	10	- 18	- 4/7	WI-18000- 0110	55	- 63	- 4/7
WI-18000- 0024	12	- 20	- 4/7	WI-18000- 0112	56	- 64	- 4/7
WI-18000- 0024-2	12	- 18	- 2,6/5	WI-18000- 0114	57	- 65	- 4/7
WI-18000- 0028	14	- 22	- 4/7	WI-18000- 0120	60	- 68	- 4/7
WI-18000- 0030	15	- 23	- 4/7	WI-18000- 0120-1	60	- 72	- 5,5/10
WI-18000- 0032	16	- 24	- 4/7	WI-18000- 0124	62	- 70	- 4/7
WI-18000- 0034	17	- 25	- 4/7	WI-18000- 0126	63	- 71	- 4/7
WI-18000- 0036	18	- 26	- 4/7	WI-18000- 0130	65	- 73	- 4/7
WI-18000- 0040	20	- 28	- 4/7	WI-18000- 0136	68	- 76	- 4/7
WI-18000- 0044	22	- 30	- 4/7	WI-18000- 0140	70	- 78	- 4/7
WI-18000- 0044-1	22	- 32	- 4/7	WI-18000- 0150	75	- 83	- 4/7
WI-18000- 0046	23	- 31	- 4/7	WI-18000- 0156	78	- 86	- 4/7
WI-18000- 0048	24	- 32	- 4/7	WI-18000- 0176	88	- 96	- 4/7
WI-18000- 0050	25	- 33	- 4/7	WI-18000- 0160	80	- 88	- 4/7
WI-18000- 0050-1	25	- 35	- 4/7	WI-18000- 0170	85	- 93	- 4/7
WI-18000- 0050-2	25	- 34	- 5/8,5	WI-18000- 0180	90	- 98	- 4/7
WI-18000- 0052	26	- 34	- 4/7	WI-18000- 0184	92	- 100	- 4/7
WI-18000- 0056	28	- 36	- 4/7	WI-18000- 0190	95	- 103	- 4/7
WI-18000- 0060	30	- 38	- 4/7	WI-18000- 0200	100	- 108	- 4/7
WI-18000- 0060-1	30	- 40	- 4/7	WI-18000- 0204	102	- 114	- 5,5/10
WI-18000- 0064	32	- 40	- 4/7	WI-18000- 0220	110	- 118	- 4/7
WI-18000- 0066	33	- 41	- 4/7	WI-18000- 0220-1	110	- 122	- 5,5/10
WI-18000- 0068	34	- 42	- 4/7	WI-18000- 0230	115	- 127	- 5,5/10
WI-18000- 0070	35	- 43	- 4/7	WI-18000- 0240	120	- 132	- 5,5/10
WI-18000- 0070-1	35	- 45	- 4/7	WI-18000- 0250	125	- 137	- 5,5/10
WI-18000- 0072	36	- 44	- 4/7	WI-18000- 0256	128	- 140	- 5,5/10
WI-18000- 0076	38	- 46	- 4/7	WI-18000- 0260	130	- 142	- 5,5/10
WI-18000- 0080	40	- 48	- 4/7	WI-18000- 0270	135	- 147	- 5,5/10
WI-18000- 0080-1	40	- 50	- 4/7	WI-18000- 0280	140	- 152	- 5,5/10
WI-18000- 0084	42	- 50	- 4/7	WI-18000- 0300	150	- 162	- 5,5/10
WI-18000- 0088	44	- 52	- 4/7	WI-18000- 0304	152	- 164	- 5,5/10
WI-18000- 0090	45	- 53	- 4/7	WI-18000- 0310	155	- 167	- 5,5/10
WI-18000- 0090-1	45	- 56	- 5/8	WI-18000- 0320	160	- 172	- 5,5/10

DTH-WI-18000-NB**Abstreifer / Wiper**

Nummer:	d	D	b	Nummer:	d	D	b
WI-18000- 0330	165	- 177	- 5,5/10	WI-18000- 0420	210	- 225	- 6,5/13
WI-18000- 0360	180	- 192	- 5,5/10	WI-18000- 0420-1	210	- 218	- 4/7
WI-18000- 0380	190	- 202	- 5,5/10	WI-18000- 0440	220	- 235	- 6,5/13
WI-18000- 0400	200	- 212	- 5,5/10	WI-18000- 0500	250	- 265	- 6,5/13

**DTH-WI-18000-PU****Abstreifer / Wiper**

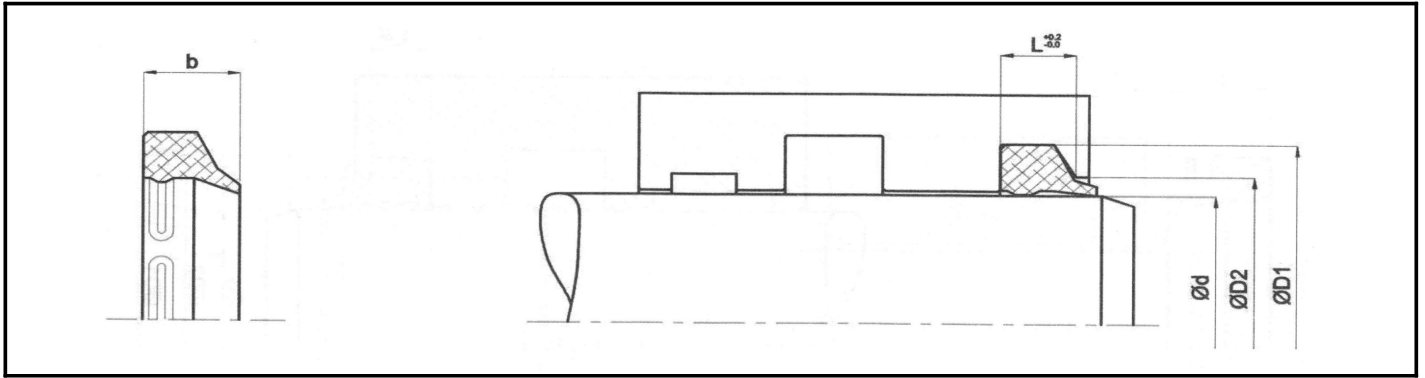
Nummer:	d	D	b	Nummer:	d	D	b
WI-18000- 0016P	8	- 16	- 4/7	WI-18000- 0090P	45	- 53	- 4/7
WI-18000- 0020P	10	- 18	- 4/7	WI-18000- 0100-1P	50	- 62	- 5,5/10
WI-18000- 0024-2P	12	- 18	- 2,6/5	WI-18000- 0100P	50	- 58	- 4/7
WI-18000- 0024P	12	- 20	- 4/7	WI-18000- 0104P	52	- 60	- 4/7
WI-18000- 0028-1P	14	- 20	- 2,6/5	WI-18000- 0110P	55	- 63	- 4/7
WI-18000- 0030P	15	- 23	- 4/7	WI-18000- 0112P	56	- 64	- 4/7
WI-18000- 0032P	16	- 24	- 4/7	WI-18000- 0114P	57	- 65	- 4/7
WI-18000- 0036P	18	- 26	- 4/7	WI-18000- 0120P	60	- 68	- 4/7
WI-18000- 0040P	20	- 28	- 4/7	WI-18000- 0126P	63	- 71	- 4/7
WI-18000- 0044P	22	- 30	- 4/7	WI-18000- 0130P	65	- 73	- 4/7
WI-18000- 0048P	24	- 32	- 4/7	WI-18000- 0140P	70	- 78	- 4/7
WI-18000- 0050-1P	25	- 35	- 4/7	WI-18000- 0150P	75	- 83	- 4/7
WI-18000- 0050-2P	25	- 34	- 5/8,5	WI-18000- 0160P	80	- 88	- 4/7
WI-18000- 0050P	25	- 33	- 4/7	WI-18000- 0170P	85	- 93	- 4/7
WI-18000- 0052P	26	- 34	- 4/7	WI-18000- 0180P	90	- 98	- 4/7
WI-18000- 0056P	28	- 36	- 4/7	WI-18000- 0200P	100	- 108	- 4/7
WI-18000- 0060P	30	- 38	- 4/7	WI-18000- 0212P	106	- 118	- 5/10
WI-18000- 0064P	32	- 40	- 4/7	WI-18000- 0220-1P	110	- 122	- 5,5/10
WI-18000- 0068P	34	- 42	- 4/7	WI-18000- 0234-1P	117	- 129	- 5/10
WI-18000- 0070-1P	35	- 45	- 4/7	WI-18000- 0240P	120	- 132	- 5,5/10
WI-18000- 0070P	35	- 43	- 4/7	WI-18000- 0260P	130	- 142	- 5,5/10
WI-18000- 0072P	36	- 44	- 4/7	WI-18000- 0270P	135	- 147	- 5,5/10
WI-18000- 0076P	38	- 46	- 4/7	WI-18000- 0300P	150	- 162	- 5,5/10
WI-18000- 0080P	40	- 48	- 4/7	WI-18000- 0320P	160	- 172	- 5,5/10
WI-18000- 0084P	42	- 50	- 4/7	WI-18000- 0360P	180	- 192	- 5,5/10



DTH-WI-22000-TPE

Abstreifer / Wiper

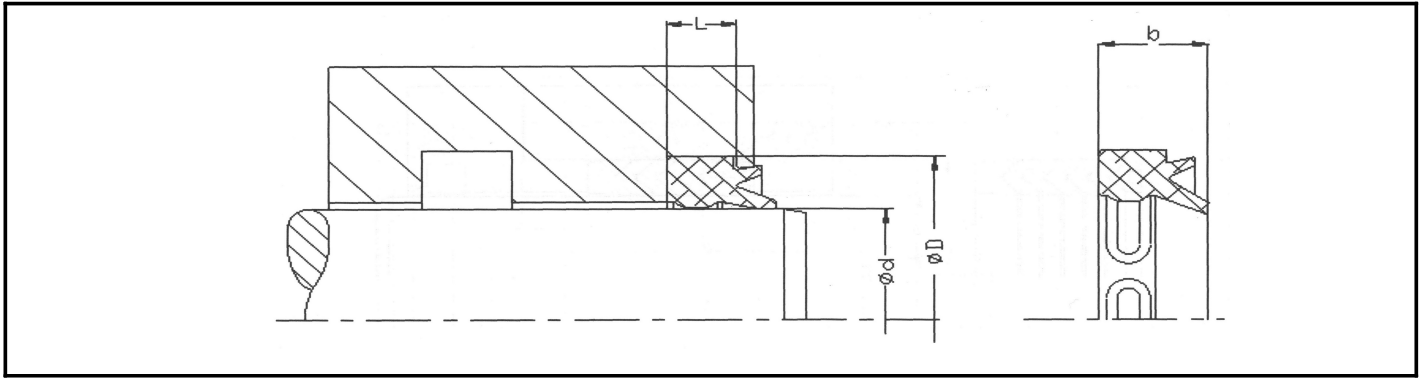
Nummer:	d	D	b	Nummer:	d	D	b
WI-22000- 0040	20	- 28	- 5/8	WI-22000- 0190	95	- 107,2	- 7,2/12
WI-22000- 0050	25	- 33	- 5/8	WI-22000- 0200	100	- 112,2	- 7,2/12
WI-22000- 0056	28	- 36	- 5/8	WI-22000- 0210	105	- 120	- 7,2/12
WI-22000- 0060	30	- 38	- 5/8	WI-22000- 0200-1	100	- 115	- 9,5/14
WI-22000- 0064	32	- 40	- 5/8	WI-22000- 0220	110	- 125	- 9,5/14
WI-22000- 0070	35	- 43	- 5/8	WI-22000- 0220-1	110	- 122,2	- 7,2/12
WI-22000- 0080	40	- 48	- 5/8	WI-22000- 0230	115	- 127,2	- 7,2/12
WI-22000- 0090	45	- 55,6	- 5,3/7	WI-22000- 0240	120	- 132,2	- 7,2/12
WI-22000- 0090-1	45	- 53	- 5/8	WI-22000- 0250	125	- 140	- 9,5/14
WI-22000- 0096	48	- 60	- 5/10	WI-22000- 0250-1	125	- 140	- 10,2/16
WI-22000- 0100	50	- 60,6	- 5,3/7	WI-22000- 0280	140	- 155	- 9,5/14
WI-22000- 0100-1	50	- 58,6	- 7/5,3	WI-22000- 0280-1	140	- 155	- 16/10,2
WI-22000- 0100-2	50	- 58	- 5/8	WI-22000- 0300	150	- 165	- 10,2/12
WI-22000- 0110	55	- 65,6	- 5,3/7	WI-22000- 0300-1	150	- 166	- 12/8
WI-22000- 0112	56	- 66	- 6/9	WI-22000- 0320	160	- 175	- 10,2/16
WI-22000- 0120	60	- 70	- 6/9	WI-22000- 0360	180	- 200	- 10,2/18
WI-22000- 0120-3	60	- 70	- 5,3/7	WI-22000- 0380	190	- 205	- 9,5/14,5
WI-22000- 0120-4	60	- 70	- 6,3/10	WI-22000- 0390	195	- 210	- 10,2/16
WI-22000- 0120-1	60	- 70,6	- 5,3/7	WI-22000- 0400	200	- 220	- 10,2/18
WI-22000- 0126	63	- 73,6	- 5/7	WI-22000- 0420	210	- 230	- 10,2/18
WI-22000- 0126-2	63	- 73	- 6,3/10	WI-22000- 0430	215	- 237	- 10/18
WI-22000- 0130	65	- 75	- 6,3/10	WI-22000- 0440	220	- 240	- 18/12,5
WI-22000- 0140	70	- 80	- 6/9	WI-22000- 0460	230	- 250	- 18/10
WI-22000- 0140-1	70	- 80,6	- 5,3/7	WI-22000- 0480	240	- 260	- 10,2/18
WI-22000- 0140-3	70	- 82,2	- 7,2/12	WI-22000- 0490	245	- 265	- 12,5/18
WI-22000- 0150	75	- 87,2	- 7,2/12	WI-22000- 0520	260	- 280	- 10,2/18
WI-22000- 0160	80	- 90	- 6/9	WI-22000- 0570	285	- 305	- 12,5/18
WI-22000- 0160-1	80	- 92,2	- 7,2/12	WI-22000- 0580	290	- 310	- 10,2/18
WI-22000- 0160-2	80	- 90	- 6,3/10	WI-22000- 0640	320	- 340	- 10,2/18
WI-22000- 0170	85	- 98	- 7,5/11,5	WI-22000- 0800	400	- 424	- 10,2/18
WI-22000- 0180	90	- 100	- 6/9	WI-22000- 0900	450	- 470	- 18/10,2
WI-22000- 0180-1	90	- 102,2	- 7,2/12				



DTH-WI-186000-PU

Abstreifer / Wiper

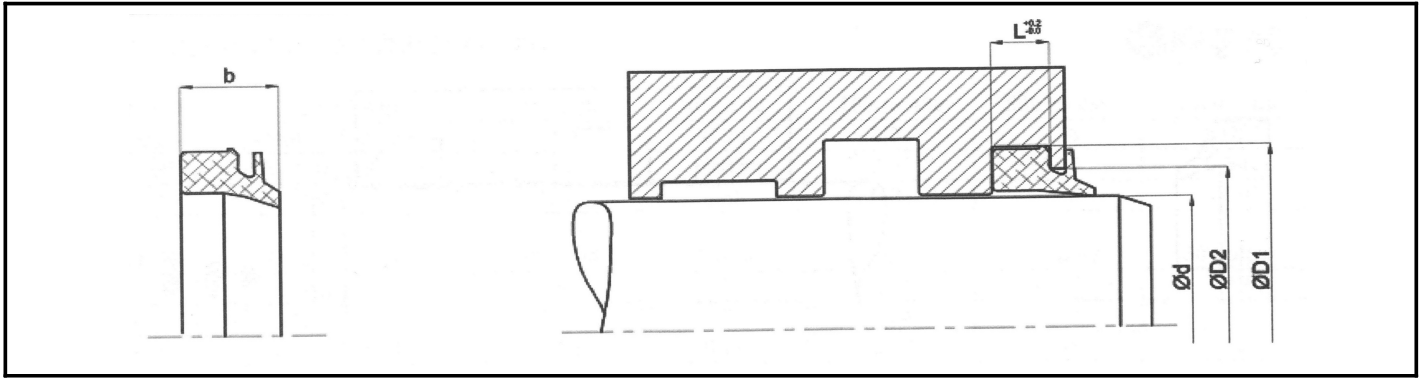
Nummer:	d	D	b	Nummer:	d	D	b
WI-186000-0038	19,05	- 25,4	- 4,47	WI-186000-0076-1	38,1	- 47,63	- 4,78
WI-186000-0044	22,23	- 28,58	- 4,47	WI-186000-0088	44,45	- 53,98	- 4,78
WI-186000-0044-1	22,23	- 31,75	- 4,78	WI-186000-0094	47,63	- 57,15	- 4,78
WI-186000-0050	25,4	- 31,75	- 4,47	WI-186000-0100	50,8	- 57,15	- 4,47
WI-186000-0050-1	25,4	- 34,93	- 4,78	WI-186000-0100-1	50,8	- 60,33	- 4,78
WI-186000-0062	31,75	- 38,1	- 4,47	WI-186000-0126	63,5	- 76,84	- 6,35
WI-186000-0062-1	31,75	- 41,28	- 4,78	WI-186000-0152	76,2	- 89,54	- 6,35
WI-186000-0068	34,93	- 44,45	- 4,78	WI-186000-0202	101,6	- 114,94	- 6,35
WI-186000-0076	38,1	- 44,45	- 4,47	WI-186000-0254	127	- 140,34	- 6,35



DTH-WI-10000-PU

Abstreifer / Wiper

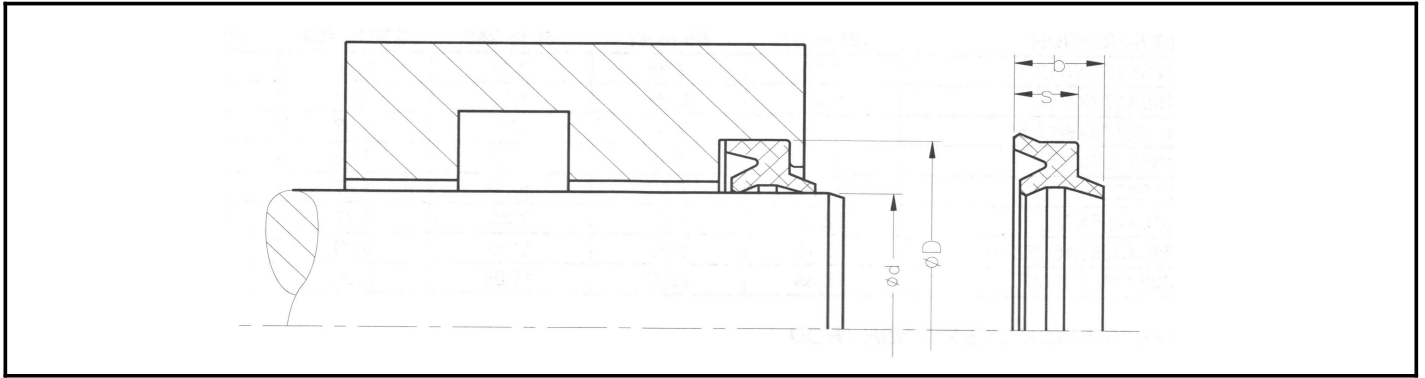
Nummer:	d	D	b	Nummer:	d	D	b
WI-10000- 0032	16	- 24	- 4/7	WI-10000- 0140	70	- 78	- 4 / 7
WI-10000- 0036	18	- 26	- 4/7	WI-10000- 0150	75	- 83	- 4 / 7
WI-10000- 0040	20	- 28	- 4/7	WI-10000- 0160	80	- 88	- 4 / 7
WI-10000- 0044	22	- 30	- 4/7	WI-10000- 0170	85	- 93	- 4 / 7
WI-10000- 0050	25	- 33	- 4/7	WI-10000- 0180	90	- 98	- 4 / 7
WI-10000- 0056	28	- 36	- 4/7	WI-10000- 0200	100	- 108	- 4 / 7
WI-10000- 0060	30	- 38	- 4/7	WI-10000- 0200-1	100	- 115	- 9,5/13
WI-10000- 0064	32	- 40	- 4/7	WI-10000- 0220	110	- 122	- 5,5/10
WI-10000- 0070	35	- 43	- 4/7	WI-10000- 0230	115	- 127	- 5,5/10
WI-10000- 0072	36	- 44	- 4/7	WI-10000- 0240	120	- 132	- 5,5/10
WI-10000- 0080	40	- 48	- 4/7	WI-10000- 0250-1	125	- 137	- 5,5/10
WI-10000- 0080-1	40	- 48	- 5/7	WI-10000- 0250	125	- 140	- 9,5/13
WI-10000- 0090	45	- 53	- 4/7	WI-10000- 0260	130	- 142	- 5,5/10
WI-10000- 0100	50	- 58	- 4/7	WI-10000- 0280	140	- 152	- 5,5/10
WI-10000- 0110	55	- 63	- 4/7	WI-10000- 0300	150	- 162	- 5,5/10
WI-10000- 0120	60	- 68	- 4/7	WI-10000- 0320	160	- 172	- 5,5/10
WI-10000- 0126	63	- 71	- 4/7	WI-10000- 0340	170	- 182	- 5,5/10
WI-10000- 0130	65	- 73	- 4/7	WI-10000- 0360	180	- 192	- 5,5/10
WI-10000- 0130-1	65	- 75	- 9,5/7	WI-10000- 0400	200	- 212	- 5,5/10



DTH-WI-188000-PU

Abstreifer / Wiper

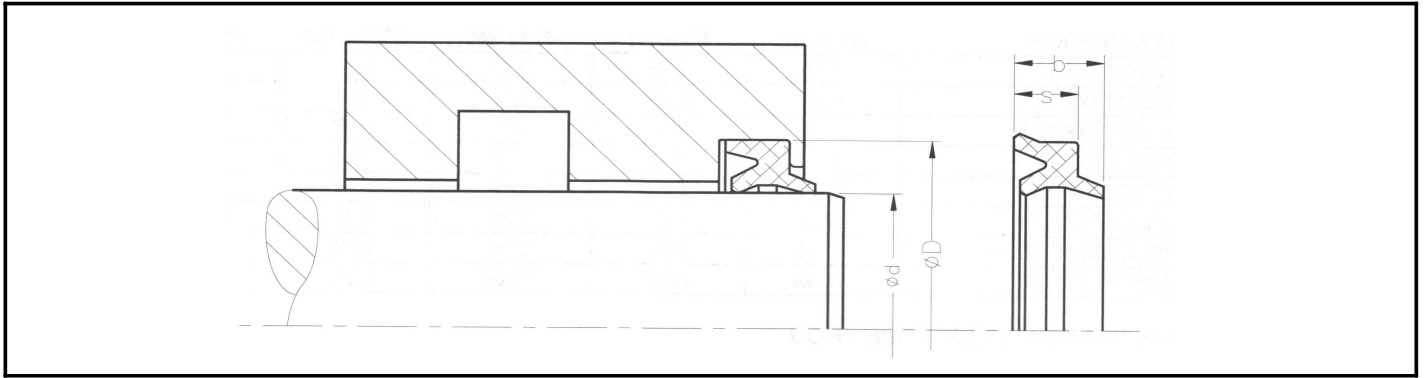
Nummer:	d	D	b	Nummer:	d	D	b
WI-188000-0100	50	- 58	- 8/5	WI-188000-0200	100	- 112,2	- 12,4/7,1
WI-188000-0120	60	- 70	- 10/6,3	WI-188000-0220	110	- 125	- 14/9,5
WI-188000-0140	70	- 82,6	- 12/8	WI-188000-0240	120	- 135	- 14/9,5
WI-188000-0160	80	- 90	- 10,6/6,7	WI-188000-0250	125	- 140	- 14/9,5
WI-188000-0160-1	80	- 90	- 10/6,3	WI-188000-0260	130	- 145	- 14/9,5
WI-188000-0180	90	- 102,2	- 12,4/7,1	WI-188000-0280	140	- 155	- 14/9,5



DTH-DWI-54000-NB

Doppelabstreifer / Double Wiper

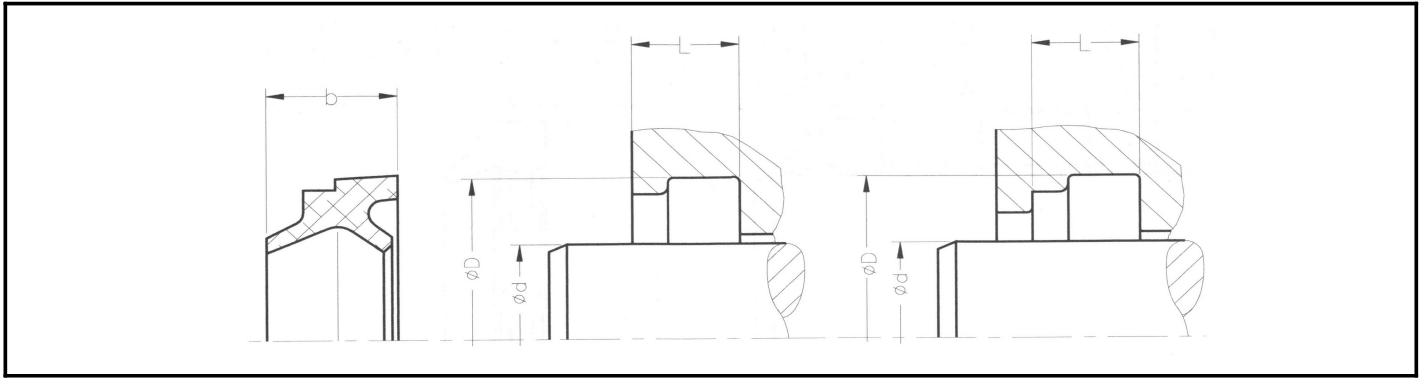
Nummer:	d	D	b	Nummer:	d	D	b
DWI-54000-NB 0016	8	- 14	- 4/5,5	DWI-54000-NB 0112	56	- 64	- 5/7
DWI-54000-NB 0024	12	- 18	- 3,6/4,8	DWI-54000-NB 0120	60	- 70	- 5/7
DWI-54000-NB 0026	13	- 20	- 7,3/5,5	DWI-54000-NB 0126	63	- 71	- 5/7
DWI-54000-NB 0032	16	- 22	- 3,5/5,5	DWI-54000-NB 0126-1	63	- 73	- 5/7
DWI-54000-NB 0032-1	16	- 24	- 4,3/6	DWI-54000-NB 0130	65	- 75	- 5/7
DWI-54000-NB 0036-2	18	- 24	- 3,5/4,8	DWI-54000-NB 0140	70	- 80	- 5/7
DWI-54000-NB 0040	20	- 28	- 5/7	DWI-54000-NB 0150	75	- 87	- 7/12
DWI-54000-NB 0044	22	- 28	- 3,6/5	DWI-54000-NB 0160	80	- 92	- 7/12
DWI-54000-NB 0044-1	22	- 30	- 5/7	DWI-54000-NB 0170	85	- 97	- 7/12
DWI-54000-NB 0050	25	- 33	- 5/7	DWI-54000-NB 0180	90	- 102	- 7/12
DWI-54000-NB 0056	28	- 36	- 5/7	DWI-54000-NB 0180-1	90	- 100	- 6/8
DWI-54000-NB 0056-1	28	- 36	- 5,8/4,5	DWI-54000-NB 0190	95	- 107	- 7/12
DWI-54000-NB 0060	30	- 38	- 5/7	DWI-54000-NB 0230	115	- 127	- 7/12
DWI-54000-NB 0070	35	- 43	- 5/7	DWI-54000-NB 0250	125	- 140	- 7,5/9,5
DWI-54000-NB 0072	36	- 44	- 5/7	DWI-54000-NB 0270	135	- 147	- 7/12
DWI-54000-NB 0076	38	- 48	- 4/5,8	DWI-54000-NB 0310	155	- 167	- 7/12
DWI-54000-NB 0040	40	- 48	- 5/7	DWI-54000-NB 0320	160	- 172	- 7/12
DWI-54000-NB 0090	45	- 55	- 5/7	DWI-54000-NB 0320-1	160	- 175	- 8/11,5
DWI-54000-NB 0090-1	45	- 53	- 5/7	DWI-54000-NB 0370	185	- 197	- 7/12
DWI-54000-NB 0100	50	- 60	- 5/7	DWI-54000-NB 0430	215	- 227	- 7/12
DWI-54000-NB 0100-2	50	- 58	- 5/7	DWI-54000-NB 0480	240	- 255	- 7/12
DWI-54000-NB 0100-3	50	- 58	- 5,8/4,5	DWI-54000-NB 0560	280	- 305	- 15,7/22,5
DWI-54000-NB 0110	55	- 65	- 5/7	DWI-54000-NB 0640	320	- 350	- 18/27



DTH-DWI-54000-PU

Doppelabstreifer / Double Wiper

Nummer:	d	D	b	Nummer:	d	D	b
DWI-54000-PU0020	10	- 16	- 3,6/4,8	DWI-54000-PU0112-1	56	- 66	- 5,3/6,8
DWI-54000-PU0020-1	10	- 15	- 5/6	DWI-54000-PU0120	60	- 70	- 5/7
DWI-54000-PU0028-1	14	- 20	- 4/7	DWI-54000-PU0126	63	- 71	- 5/7
DWI-54000-PU0032	16	- 22	- 3,5/5,5	DWI-54000-PU0126-1	63	- 73	- 5/7
DWI-54000-PU0040	20	- 28	- 5/7	DWI-54000-PU0130	65	- 75	- 5/7
DWI-54000-PU0044	22	- 28	- 3,6/5	DWI-54000-PU0140	70	- 80	- 5/7
DWI-54000-PU0044-1	22	- 30	- 5/7	DWI-54000-PU0150	75	- 87	- 7/12
DWI-54000-PU0050	25	- 33	- 5/7	DWI-54000-PU0150-1	75	- 85	- 5/7
DWI-54000-PU0050-2	25	- 31	- 3,6/4,8	DWI-54000-PU0150-2	75	- 83,6	- 5,3
DWI-54000-PU0056	28	- 36	- 5/7	DWI-54000-PU0160	80	- 92	- 7/12
DWI-54000-PU0060	30	- 38	- 5/7	DWI-54000-PU0160-1	80	- 90	- 7/12
DWI-54000-PU0064	32	- 40	- 5/7	DWI-54000-PU0170	85	- 97	- 7/12
DWI-54000-PU0064-1	32	- 40	- 4,5/5,8	DWI-54000-PU0180	90	- 102	- 7/12
DWI-54000-PU0070	35	- 43	- 5/7	DWI-54000-PU0190	95	- 107	- 7/12
DWI-54000-PU0070-1	35	- 45	- 6/8	DWI-54000-PU0230	115	- 127	- 7/12
DWI-54000-PU0072	36	- 44	- 5/7	DWI-54000-PU0250	125	- 140	- 7,5/9,5
DWI-54000-PU0076	38	- 48	- 4/5,8	DWI-54000-PU0250-1	125	- 138	- 7/9,5
DWI-54000-PU0080	40	- 48	- 5/7	DWI-54000-PU0264	132	- 145	- 7/9,5
DWI-54000-PU0090	45	- 55	- 5/7	DWI-54000-PU0270	135	- 147	- 7/12
DWI-54000-PU0090-1	45	- 53	- 5/7	DWI-54000-PU0270-1	135	- 150	- 7/12
DWI-54000-PU0090-3	45	- 53	- 5/6,5	DWI-54000-PU0310	155	- 167	- 7/12
DWI-54000-PU0100	50	- 60	- 5/7	DWI-54000-PU0320	160	- 172	- 7/12
DWI-54000-PU0100-2	50	- 58	- 5/7	DWI-54000-PU0370	185	- 197	- 7/12
DWI-54000-PU0100-3	50	- 58	- 4,5/5,8	DWI-54000-PU0430	215	- 227	- 7/12
DWI-54000-PU0110	55	- 65	- 5/7	DWI-54000-PU0480	240	- 255	- 7/12
DWI-54000-PU0112	56	- 64	- 5/7				



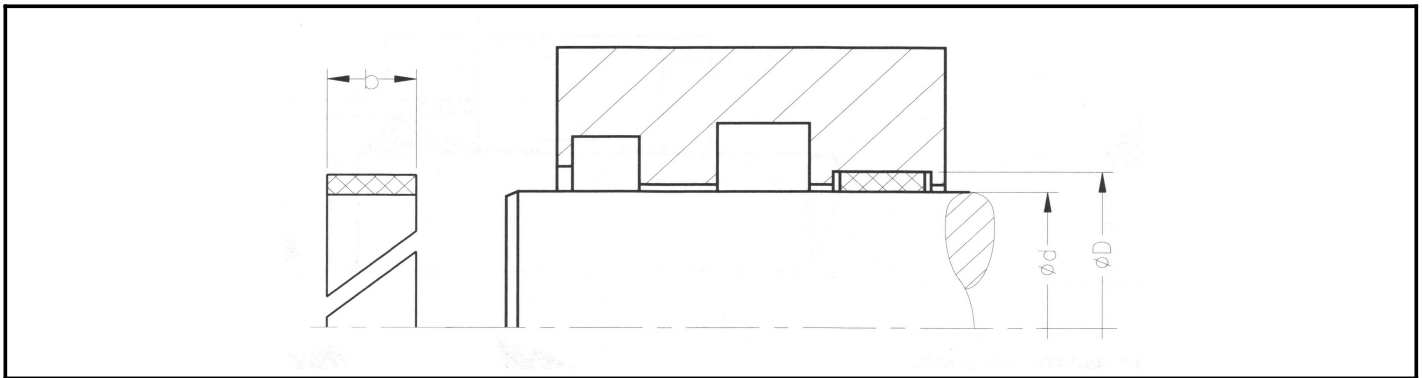
DTH-DWI-2000-NB

Doppelabstreifer / Double Wiper

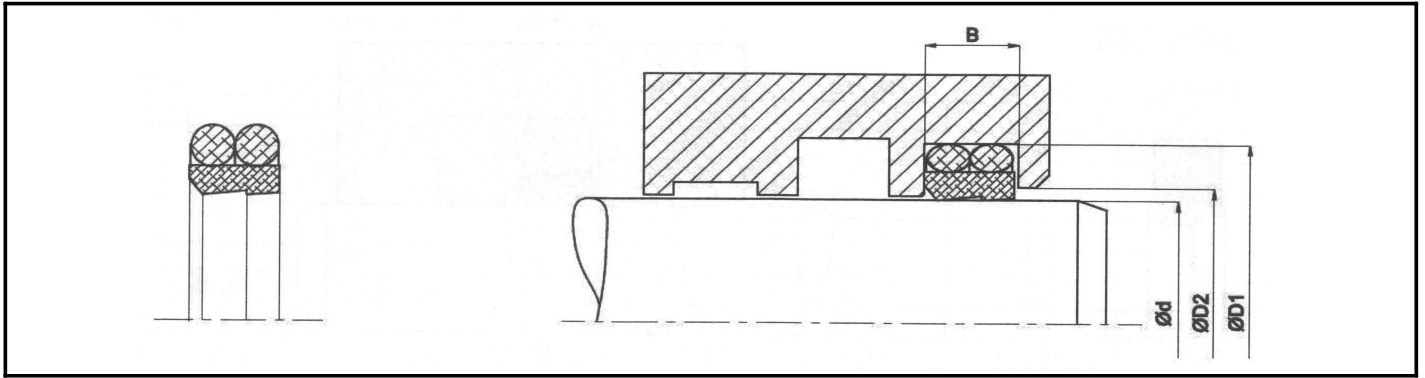
Nummer:	d	D	b	Nummer:	d	D	b
DWI-20000- 0020	10	- 18	- 6/8	DWI-20000- 0210	105	- 117	- 8,2/11
DWI-20000- 0024	12	- 20	- 6/8	DWI-20000- 0220	110	- 122	- 8,2/11
DWI-20000- 0028	14	- 22	- 6/8	DWI-20000- 0226	113	- 125	- 8,2/11
DWI-20000- 0030	15	- 23	- 6/8	DWI-20000- 0230	115	- 127	- 8,2/11
DWI-20000- 0032	16	- 24	- 6/8	DWI-20000- 0240	120	- 132	- 8,2/11
DWI-20000- 0036	18	- 26	- 6/8	DWI-20000- 0250	125	- 137	- 8,2/11
DWI-20000- 0040	20	- 28	- 6/8	DWI-20000- 0260	130	- 142	- 8,2/11
DWI-20000- 0044	22	- 30	- 6/8	DWI-20000- 0270	135	- 147	- 8,2/11
DWI-20000- 0048	24	- 32	- 6/8	DWI-20000- 0279	139,5	- 151,5	- 8,2/11
DWI-20000- 0050	25	- 33	- 6/8	DWI-20000- 0280	140	- 152	- 8,2/11
DWI-20000- 0052	26	- 34	- 6/8	DWI-20000- 0284	142	- 154	- 8,2/11
DWI-20000- 0056	28	- 36	- 6/8	DWI-20000- 0290	145	- 157	- 8,2/11
DWI-20000- 0060	30	- 38	- 6/8	DWI-20000- 0300	150	- 162	- 8,2/11
DWI-20000- 0064	32	- 40	- 6/8	DWI-20000- 0310	155	- 167	- 8,2/11
DWI-20000- 0070	35	- 43	- 6/8	DWI-20000- 0317	158,5	- 170,5	- 8,2/11
DWI-20000- 0072	36	- 44	- 6/8	DWI-20000- 0320	160	- 172	- 8,2/11
DWI-20000- 0074	37	- 45	- 6/8	DWI-20000- 0330	165	- 177	- 8,2/11
DWI-20000- 0076	38	- 46	- 6/8	DWI-20000- 0340	170	- 182	- 8,2/11
DWI-20000- 0080	40	- 48	- 6/8	DWI-20000- 0344	172	- 184	- 8,2/11
DWI-20000- 0084	42	- 50	- 6/8	DWI-20000- 0350	175	- 187	- 8,2/11
DWI-20000- 0090	45	- 53	- 6/8	DWI-20000- 0360	180	- 192	- 8,2/11
DWI-20000- 0092	46	- 54	- 6/8	DWI-20000- 0370	185	- 197	- 8,2/11
DWI-20000- 0096	48	- 56	- 6/8	DWI-20000- 0375	187,5	- 199,5	- 8,2/11
DWI-20000- 0100	50	- 58	- 6/8	DWI-20000- 0380	190	- 202	- 8,2/11
DWI-20000- 0104	52	- 60	- 6/8	DWI-20000- 0384	192	- 204	- 8,2/11
DWI-20000- 0110	55	- 63	- 6/8	DWI-20000- 0390	195	- 207	- 8,2/11
DWI-20000- 0112	56	- 64	- 6/8	DWI-20000- 0400	200	- 212	- 8,2/11
DWI-20000- 0120	60	- 68	- 6/8	DWI-20000- 0410	205	- 220	- 9,5/13
DWI-20000- 0126	63	- 71	- 6/8	DWI-20000- 0413	206,5	- 221,5	- 13/9,5
DWI-20000- 0130	65	- 73	- 6/8	DWI-20000- 0420	210	- 225	- 9,5/13
DWI-20000- 0136	68	- 76	- 6/8	DWI-20000- 0430	215	- 230	- 9,5/13
DWI-20000- 0140	70	- 78	- 6/8	DWI-20000- 0440	220	- 235	- 9,5/13
DWI-20000- 0150	75	- 83	- 6/8	DWI-20000- 0450	225	- 240	- 9,5/13
DWI-20000- 0160	80	- 88	- 6/8	DWI-20000- 0460	230	- 245	- 9,5/13
DWI-20000- 0170	85	- 93	- 6/8	DWI-20000- 0462	231	- 246	- 9,5/13
DWI-20000- 0180	90	- 98	- 6/8	DWI-20000- 0470	235	- 250	- 9,5/13
DWI-20000- 0190	95	- 103	- 6/8	DWI-20000- 0480	240	- 255	- 9,5/13
DWI-20000- 0200	100	- 108	- 6/8	DWI-20000- 0490	245	- 260	- 9,5/13

DTH-DWI-20000-NB**Doppelabstreifer / Double Wiper**

Nummer:	d	D	b	Nummer:	d	D	b
DWI-20000- 0500	250	- 265	- 9,5/13	DWI-20000- 0640	320	- 335	- 9,5/13
DWI-20000- 0510	255	- 275	- 9,5/13	DWI-20000- 0650	325	- 340	- 9,5/13
DWI-20000- 0516	258	- 273	- 9,5/13	DWI-20000- 0660	330	- 345	- 13/9,5
DWI-20000- 0520	260	- 275	- 9,5/13	DWI-20000- 0680	340	- 355	- 9,5/13
DWI-20000- 0530	265	- 280	- 9,5/13	DWI-20000- 0690	345	- 360	- 9,5/13
DWI-20000- 0540	270	- 285	- 9,5/13	DWI-20000- 0700	350	- 365	- 9,5/13
DWI-20000- 0550	275	- 290	- 9,5/13	DWI-20000- 0710	355	- 379	- 13/9,5
DWI-20000- 0560	280	- 295	- 9,5/13	DWI-20000- 0720	360	- 375	- 9,5/13
DWI-20000- 0570	285	- 300	- 9,5/13	DWI-20000- 0740	370	- 385	- 9,5/13
DWI-20000- 0580	290	- 305	- 9,5/13	DWI-20000- 0800	400	- 415	- 9,5/13
DWI-20000- 0590	295	- 310	- 9,5/13	DWI-20000- 0900	450	- 465	- 9,5/13
DWI-20000- 0600	300	- 315	- 9,5/13	DWI-20000- 0920	460	- 475	- 9,5/13
DWI-20000- 0620	310	- 325	- 9,5/13	DWI-20000- 1000	500	- 515	- 13/9,5

**DTH-RO-128000-PU****Pneumatik Doppelabstreifer / Pneumatic Rod Wiper**

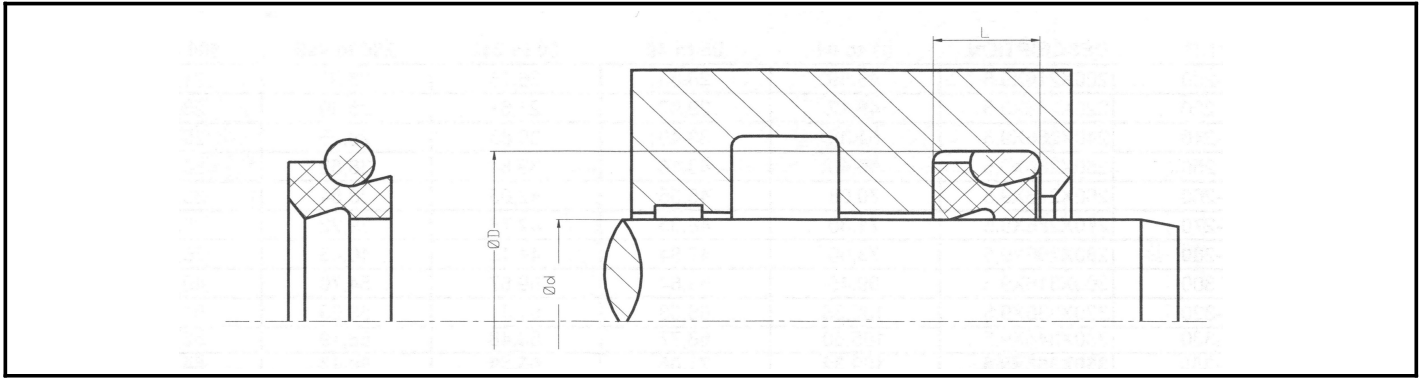
Nummer:	d	D	b	Nummer:	d	D	b
RO-128000-0008	4	- 8,1	- 3,8/4	RO-128000-0016	8	- 14,1	- 4,6/5
RO-128000-0012	6	- 11,1	- 4,6/5	RO-128000-0020	10	- 16,1	- 5,4/6



DTH-WI-1410-PTFE-NB

Abstreifer / Wiper

Nummer:	d	D	b	Nummer:	d	D	b
WI-1410- 0080	40	- 48,8	- 6,3	WI-1410- 0250	125	- 137,2	- 8,1
WI-1410- 0090	45	- 53,8	- 6,3	WI-1410- 0260	130	- 142,2	- 8,1
WI-1410- 0100	50	- 58,38	- 6,3	WI-1410- 0270	135	- 147,2	- 8,1
WI-1410- 0110	55	- 63,8	- 6,3	WI-1410- 0280	140	- 156	- 11,5
WI-1410- 0112	56	- 64,8	- 6,3	WI-1410- 0300	150	- 166	- 11,5
WI-1410- 0120	60	- 68,8	- 6,3	WI-1410- 0310	155	- 171	- 11,5
WI-1410- 0126	63	- 71,8	- 6,3	WI-1410- 0320	160	- 176	- 11,5
WI-1410- 0130	65	- 73,8	- 6,3	WI-1410- 0340	170	- 186	- 11,5
WI-1410- 0140	70	- 82,2	- 8,1	WI-1410- 0360	180	- 196	- 11,5
WI-1410- 0150	75	- 87,2	- 8,1	WI-1410- 0380	190	- 206	- 11,5
WI-1410- 0160	80	- 92,2	- 8,1	WI-1410- 0400	200	- 216	- 11,5
WI-1410- 0170	85	- 97,2	- 8,1	WI-1410- 0440	220	- 236	- 11,5
WI-1410- 0180	90	- 102,2	- 8,1	WI-1410- 0480	240	- 256	- 11,5
WI-1410- 0200	100	- 112,2	- 8,1	WI-1410- 0580	290	- 306	- 11,5
WI-1410- 0210	105	- 117,2	- 8,1	WI-1410- 0660	330	- 346	- 11,5
WI-1410- 0220	110	- 122,2	- 8,1	WI-1410- 0740	370	- 386	- 11,5
WI-1410- 0230	115	- 127,2	- 8,1	WI-1410- 0760	380	- 396	- 11,5
WI-1410- 0240	120	- 132,1	- 8,1				



DTH-PI-1406-PTFE-NB

Abstreifelement / Wiper

Nummer:	d	D	b	Nummer:	d	D	b
PI-1406- 0040	20	- 27,6	- 4,2	PI-1406- 0260	130	- 142,2	- 8,1
PI-1406- 0044	22	- 29,6	- 4,2	PI-1406- 0270	135	- 147,2	- 8,1
PI-1406- 0050	25	- 32,6	- 4,2	PI-1406- 0280	140	- 156	- 9,5
PI-1406- 0056	28	- 35,6	- 4,2	PI-1406- 0300	150	- 166	- 9,5
PI-1406- 0060	30	- 37,6	- 4,2	PI-1406- 0306	153	- 169	- 9,5
PI-1406- 0064	32	- 39,6	- 4,2	PI-1406- 0320	160	- 176	- 9,5
PI-1406- 0064-1	32	- 38,8	- 5	PI-1406- 0330	165	- 181	- 9,5
PI-1406- 0072	36	- 42,8	- 5	PI-1406- 0340	170	- 186	- 9,5
PI-1406- 0072-1	36	- 43,6	- 4,2	PI-1406- 0350	175	- 191	- 9,5
PI-1406- 0080	40	- 48,8	- 6,3	PI-1406- 0360	180	- 196	- 9,5
PI-1406- 0084	42	- 49,6	- 4,2	PI-1406- 0380	190	- 206	- 9,5
PI-1406- 0090	45	- 53,8	- 6,3	PI-1406- 0400	200	- 216	- 9,5
PI-1406- 0100	50	- 58,8	- 6,3	PI-1406- 0440	220	- 236	- 9,5
PI-1406- 0110	55	- 63,8	- 6,3	PI-1406- 0480	240	- 256	- 9,5
PI-1406- 0112	56	- 64,8	- 6,3	PI-1406- 0500	250	- 266	- 9,5
PI-1406- 0120	60	- 68,8	- 6,3	PI-1406- 0520	260	- 276	- 9,5
PI-1406- 0126	63	- 71,8	- 6,3	PI-1406- 0540	270	- 286	- 9,5
PI-1406- 0130	65	- 73,8	- 6,3	PI-1406- 0560	280	- 296	- 9,5
PI-1406- 0140	70	- 82,2	- 8,1	PI-1406- 0600	300	- 316	- 9,5
PI-1406- 0150	75	- 87,2	- 8,1	PI-1406- 0640	320	- 336	- 9,5
PI-1406- 0160	80	- 92,2	- 8,1	PI-1406- 0660	330	- 346	- 9,5
PI-1406- 0170	85	- 97,2	- 8,1	PI-1406- 0700	350	- 366	- 9,5
PI-1406- 0180	90	- 102,2	- 8,1	PI-1406- 0720	360	- 376	- 9,5
PI-1406- 0200	100	- 112,2	- 8,1	PI-1406- 0760	380	- 396	- 9,5
PI-1406- 0210	105	- 117,2	- 8,1	PI-1406- 0800	400	- 416	- 9,5
PI-1406- 0220	110	- 122,2	- 8,1	PI-1406- 0880	440	- 164	- 14
PI-1406- 0230	115	- 127,2	- 8,1	PI-1406- 0960	480	- 504	- 14
PI-1406- 0240	120	- 132,2	- 8,1	PI-1406- 1000	500	- 524	- 14
PI-1406- 0250	125	- 137,2	- 8,1				